



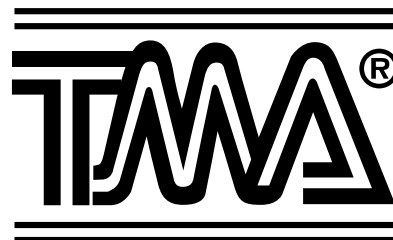
# Model RTT-300 INSTRUCTION MANUAL



Do not return this product to the retailer. Call Rhino Treestands for replacement of any damaged parts, toll-free at (888) 507-2021.

Inspect ALL product components for evidence of damage or wear sustained during shipping, handling, manufacturing of the product prior to assembly or use. If for any reason you are not satisfied with product or with any product component, DO NOT use until the problem has been resolved.

MEMBER OF



## TREESTAND MANUFACTURERS ASSOCIATION

This Instruction Manual meets industry standards recognized by the Treestand Manufacturers Association - "Standard Practice for Treestand Instructions" and - "Standard Test Method for Treestand Fall Arrest Systems"



**WARNING! THIS PRODUCT CARRIES A STRICT WEIGHT LIMIT. DO NOT USE THIS PRODUCT IF YOU EXCEED THIS TOTAL WEIGHT LIMIT. PLEASE NOTE THIS WEIGHT LIMIT INCLUDES THE USER AND EQUIPMENT. FAILURE TO FOLLOW THESE INSTRUCTIONS MAY RESULT IN SERIOUS INJURY OR DEATH!**

Model Number RTT-300

Maximum Weight Capacity - 300 pounds (136kgs) (User and Equipment)



**WARNING!** You must read, understand, and follow ALL safety warnings and instructions prior to each use. Additionally, you must test and practice with product at ground-level prior to using it at heights above ground-level. Failure to follow these instructions will result in serious injury or death!



**WARNING!** Prior to each hunt, make certain you have a signaling device (e.g., mobile phone, cell phone, radio, whistle, signal flare, Personal Locator Device [PLD], etc.) in your possession and on your person in an operable condition. This device must be within easy access shall you experience the need to contact emergency assistance. Failure to follow these instructions may result in serious injury or death!

THANK YOU FOR YOUR PURCHASE OF THIS QUALITY RHINO TREESTANDS PRODUCT! TO ENSURE YOUR PERSONAL SAFETY, PLEASE TAKE A MOMENT TO CAREFULLY READ THIS PRODUCT INSTRUCTION MANUAL IN ITS ENTIRETY BEFORE ATTEMPTING TO SET-UP, INSTALL AND/OR OTHERWISE USE THIS RHINO TREESTANDS PRODUCT. FAILURE TO DO SO COULD RESULT IN SERIOUS PERSONAL INJURY OR DEATH! THIS RHINO TREESTANDS PRODUCT HAS BEEN DESIGNED, ENGINEERED AND MANUFACTURED TO PROVIDE YOU WITH YEARS OF TROUBLE FREE SERVICE.

Shall you have any questions about the installation and/or use of this product, or any other Rhino Treestands product(s) do not hesitate to call one of our customer service representatives toll-free at (888) 507-2021 or visit us online at [rhinotreestands.com](http://rhinotreestands.com). Our service representatives will answer any questions you may have about any of the complete line of Rhino Treestands products.

PLEASE READ THIS MANUAL IN ITS ENTIRETY PRIOR TO USING THIS PRODUCT!

PLEASE READ THIS MANUAL IN ITS ENTIRETY PRIOR TO USING THIS PRODUCT!



## ATTENTION!!



WHEN YOU SEE A "WARNING!" BE SURE TO HEED THE MESSAGE! THE INFORMATION CONTAINED IN THESE MESSAGES CAN SAVE YOUR LIFE!!



WARNING! FALLS FROM A TREESTAND CAN OCCUR ANYTIME AFTER LEAVING THE GROUND. THESE FALLS RESULT IN EITHER SERIOUS INJURY OR DEATH! FOR YOUR PERSONAL SAFETY, PLEASE TAKE A MOMENT TO CAREFULLY READ THIS PRODUCT INSTRUCTION MANUAL IN ITS ENTIRETY BEFORE ATTEMPTING TO ASSEMBLE, SET-UP, INSTALL AND/OR OTHERWISE USE THIS RHINO TREESTANDS PRODUCT. AT LEAST ANNUALLY, REVIEW THE CONTENTS OF THIS INSTRUCTION MANUAL AND WATCH THE SAFE TREESTAND HUNTING DVD. ADDITIONALLY, KEEP THESE INSTRUCTIONS FOR THE ENTIRE DURATION YOU OWN THIS PRODUCT(S). FAILURE TO FOLLOW THESE INSTRUCTIONS MAY RESULT IN SERIOUS INJURY OR DEATH!



WARNING! THE SAFE USE AND OPERATION OF THIS PRODUCT(S) IS THE SOLE RESPONSIBILITY OF THE USER. IT IS ALSO THE SOLE RESPONSIBILITY OF THE OWNER TO PROVIDE ANY PERSON(S) WHO BORROWS OR PURCHASES THIS PRODUCT WITH THESE INSTRUCTIONS AND SAFETY WARNINGS. FAILURE TO FOLLOW THESE INSTRUCTIONS/WARNINGS MAY RESULT IN SERIOUS INJURY OR DEATH! ADDITIONALLY, FAILURE TO FOLLOW THESE INSTRUCTIONS MAY SUBJECT YOU TO PERSONAL LIABILITY PENALTIES AS DETERMINED BY THE U.S. JUDICIAL SYSTEM.



WARNING! Failure to read and strictly comply with the instructions contained in this Instruction Manual may result in serious injury or death! PLEASE NOTE THAT "WARNING!" statements have been placed throughout this Instruction Manual. These statements point-out important safety information and instructions, which, if not followed, could endanger the personal safety and/or property of the operator. It is imperative that the operator of this product, or any other Rhino Treestands product(s) read and understand all the instructions and warnings contained in this Instruction Manual prior to attempting to use this product(s), or any other Rhino Treestands product(s). Failure to comply with these instructions and/or warnings may result in serious injury or death! When you see a "WARNING!" statement- BE SURE TO HEED THE MESSAGE!



WARNING! Thoroughly inspect this or any other Rhino Treestands product(s) prior to each use for signs of wear, rot, corrosion, cracks, deterioration and/or any other type of defect. DO NOT expose this product to extended exposure to direct sunlight, excessive heat or freezing temperatures. Do not use this or any other Rhino Treestands product(s) if they show evidence of wear, rot, corrosion, cracks, deterioration and/or any other type of defect. Failure to follow these instructions may result in serious injury or death!



WARNING! Do not remove, modify and/or omit any portion or otherwise mechanically modify this Rhino Treestands product(s) or its assemblies in any manner. Modification, additions, misuse and/or part substitution shall immediately void your factory warranty and may result serious injury or death! If you suspect a part(s) is missing and/or defective, immediately contact Rhino Treestands toll free at (888) 507-2021 for replacement of missing or defective parts. Never modify your stand in any way by making repairs, or altering, adding or attaching anything to it except if explicitly authorized in writing by Rhino Treestands. ALWAYS USE GENUINE FACTORY AUTHORIZED RHINO TREESTANDS REPLACEMENT PARTS. USE OF ANY REPLACEMENT PARTS OTHER THAN GENUINE RHINO TREESTANDS PARTS VOIDS YOUR WARRANTY AND RELIEVES RHINO TREESTANDS OF ANY RESULTANT LIABILITIES AND MAY RESULT IN SERIOUS INJURY OR DEATH!



WARNING! This Rhino Treestands product(s) is designed for adult use only. No one under the age of 16 shall attempt to use this or any other Rhino Treestands product(s) without direct adult supervision. Replace all hardware/cables/nuts/bolts/clips on your treestand every two (2) years or sooner if inspection finds it necessary. Use only Rhino Treestands replacement straps and parts. Use of any other straps or parts, which are not genuine Rhino Treestands straps and parts, will be viewed as a modification to the product. Any modification will void the warranties and relieve Rhino Treestands Inc. from all liabilities. Failure to follow these instructions may result in serious injury or death!



WARNING! Prior to attempting to use this or any other Rhino Treestands product(s), you must take a moment and become familiar with its assembly, setup and installation. You must practice installing, setting-up and using this product(s) at ground level prior to attempting to use it at heights above ground-level. Once you have become thoroughly knowledgeable and comfortable with this Rhino Treestands product(s) set-up, installation and use at ground-level, you are now ready to use it at heights above ground-level. Failure to follow these instructions may result in serious injury and death!



WARNING! ALWAYS inspect/check ALL expiration dates/tags on all straps and the full-body fall arrest harness prior to each use. You must replace ALL straps (i.e., ratchet, cinch, button, stabilizing straps/ropes, etc.) and suspension seats EVERY year. Never use any strap(s) or full-body fall arrest harness that has expired or is showing any damage or wear. Replace all hardware/cables/nuts/bolts/clips on your tree stand every (2) years or sooner if inspection finds it necessary. Use only Rhino Treestands replacement straps and parts. Any other straps or parts will be viewed as a modification to the product. Any modification will void the warranties and relieve Rhino Treestands Inc. from all liabilities. Failure to follow these instructions may result in serious injury and death!



WARNING! Never rely on a tree branch for support while climbing. Failure to follow these instructions may result in serious injury or death!



WARNING! You must always inform someone of your hunting location, where the treestand will be located and the expected duration of the hunt. Failure to follow these instructions may result in serious injury or death!



WARNING! Inspect all safety devices each time before each use. DO NOT use these devices if it (they) shows signs of wear, damage, deterioration, or vandalism. Factors such as tree growth, vandals, weather and animals may affect the performance of an unattended tree stand. Do not store these devices outdoors when not in use. Failure to follow these instructions may result in serious injury or death!



WARNING! The length of the full-body fall arrest harness lanyard must be minimized at all times. It shall be adjusted so it is above the head with no slack (snug) in the sitting position and you shall have the minimum amount of slack possible when climbing. Failure to follow these instructions may result in serious injury or death!



WARNING! DO NOT modify, fix/repair, alter, bend, cut, weld, or heat this product in any way. Failure to follow these instructions will void warranty and may result in serious injury or death!



PLEASE READ THIS MANUAL IN ITS ENTIRETY PRIOR TO USING THIS PRODUCT!

PLEASE READ THIS MANUAL IN ITS ENTIRETY PRIOR TO USING THIS PRODUCT!



## ATTENTION!!



WHEN YOU SEE A "WARNING!" BE SURE TO HEED THE MESSAGE! THE INFORMATION CONTAINED IN THESE MESSAGES CAN SAVE YOUR LIFE!!



WARNING! Never attempt to climb up or climb down with a weapon and/or gear in your possession. ALWAYS unload your weapon and pull it up to hunting height using a tether or pull up rope. ALWAYS lower your unloaded weapon down to the ground prior (when raising or lowering firearms, the chamber must be open and the barrel pointing toward the ground) to attempting to climb down. Use this same method when raising or lowering all other gear. Failure to follow these instructions may result in serious injury or death!



WARNING! DO NOT attempt to use this and/or any other Rhino Treestands product(s) when ice, snow and/or freezing rain has deposited or formed on any portion of the tree you intend to climb. Failure to follow these instructions may result in serious injury or death!



WARNING! ALWAYS maintain three (3) point contact when climbing up/down a tree when using climbing aids (e.g., ladders, climbing sticks, stacking steps, etc.). Proper three (3) point contact means having either two (2) feet with one (1) hand or one (1) foot with two (2) hands on the step portion of the climbing aids at all times when climbing up or down. Failure to follow these instructions may result in serious injury or death!



WARNING! NEVER adjust ANY straps, cables, and/or adjustable support bars while standing on or leaning against any treestand. DO NOT use any treestand if there is any damage, wear, or excessive corrosion on any part of the treestand or the full-body fall arrest harness. Failure to follow these instructions may result in serious injury or death!



WARNING! If you have a limiting physical and/or health condition that precludes and/or renders you incapable of self-recovery and/or a suitable escape plan is not available, DO NOT hunt from heights above ground level. Failure to follow these instructions may result in serious injury or death!



WARNING! DO NOT lean out from a treestand for any reason. Never use your full-body fall arrest harness to help you lean out of your treestand to make a difficult shot. Failure to follow these instructions may result in serious injury or death!



WARNING! DO NOT use this or any other Rhino Treestands product(s) if you have a history of heart problems, back problems, impaired vision, joints that lock-up, spinal fusions, equilibrium problems, high blood pressure, are not well-rested and/or any other physical impairment that may limit your ability to use and/or operate this product(s) in the safe manner outlined in this Instruction Manual. Additionally, do not use this or any other Rhino Treestands product(s) if you are currently taking any medication (including prescription or over-the-counter [OTC]) and/or using and/or consuming any substance, or consumed any substance, including alcohol, that may limit your ability to use this Rhino Treestands product(s) as outlined and described in this Instruction Manual. Never use a treestand when feeling ill, nauseous or dizzy. Do not use ANY Rhino Treestands product(s) without consent from your medical doctor for safe and proper use of the treestand and full-body fall arrest harness. Failure to follow these instructions may result in serious injury or death!



WARNING! DO NOT attempt to use this or any other Rhino Treestands product(s) when thunderstorms are threatening and/or present within five (5) miles. Do not attempt to use this or any other Rhino Treestands product(s) when any other adverse weather condition presents itself. These include weather conditions which have the potential for producing winds, lightning, rain, snow, sleet and/or any other atmospheric condition which may limit the user's ability to operate this Rhino Treestands product(s) in a safe manner as described in this Instruction Manual. Shall inclement weather conditions arise during your use of this Rhino Treestands product(s), return to the ground immediately. Failure to follow these instructions may result in serious injury and death!



WARNING! Never jump or bounce on a treestand to seat it to the tree. Failure to follow these instructions may result in serious injury or death!

### SPECIAL CONSIDERATIONS FOR TRIPOD USAGE



WARNING! You must use at least four (4) adults to install and/or take down this tower. Failure to follow these instructions may result in serious injury or death!



WARNING! You must check every ladder section connection every time you use the stand before you leave the ground. If you find that the ladder sections are separating, DO NOT USE the tower. Failure to follow these instructions may result in serious injury or death!



WARNING! You must check the ground under the tower to make sure it is firm and level. Sloping ground or uneven surfaces (e.g., on foot on a rock) can cause your tower to tilt or shift as you climb. Failure to follow these instructions may result in serious injury or death!



WARNING! You must maintain three (3) points-of-contact when climbing a ladder treestand (i.e., two feet-one hand, two hands-one foot). Failure to follow these instructions may result in serious injury or death!



WARNING! This unit is REQUIRED to be anchored to the ground (anchors/ground stakes are not included).



WARNING! NEVER use any type of motor vehicle or all-terrain vehicle (ATV) to stand-up this unit.



WARNING! NEVER place any tripod/quad pod on a side of a hill or incline/decline. Insure the foot platform is level and the foot plates are flat on the ground.



WARNING! NEVER submerge the leg sections in water, place in mud/saturated soil or locate on any type of loose/soft soil or sand. Place/locate this unit on firm, level, dirt surface ONLY.



RHINO TREESTANDS RTT-300 COMPONENTS

PLEASE READ THIS MANUAL IN ITS ENTIRETY PRIOR TO USING THIS PRODUCT!

PLEASE READ THIS MANUAL IN ITS ENTIRETY PRIOR TO USING THIS PRODUCT!

- |    |                                    |               |
|----|------------------------------------|---------------|
| A. | (1) Front Foot Platform            | Part #FFP-316 |
| B. | (1) Rear Foot Platform             | Part #RFP-316 |
| C. | (1) Sub-frame                      | Part #TS-316  |
| D. | (1) Seat Pedestal                  | Part #SP-510  |
| E. | (1) Swivel Base                    | Part #SWB-350 |
| F. | (1) Seat Base                      | Part #TSB-510 |
| G. | (2) Seat Tubes                     | Part #TST-510 |
| H. | (1) Front Seat Support Tube        | Part #FST-414 |
| I. | (2) Back Seat Tube                 | Part #BST-510 |
| J. | (1) Back Seat Support              | Part #BS-414  |
| K. | (2) Mesh Seat with 4 plastic tubes | Part #TFC-510 |
| L. | (2) Arm Rests                      | Part #TAR-350 |
| M. | (2) Ladder Connection Tubes        | Part #CT-514  |
| N. | (4) Rail Support Tubes             | Part #SRS-200 |
| O. | (4) Platform Rail Straps           | Part #CB-200  |
| P. | (2) Shooting Rails                 | Part #FSR-300 |
| Q. | (2) Sleeves                        | Part #SSR-300 |
| R. | (4) Shooting Rail Pads             | Part #SRP-300 |
| S. | (2) Arm Rest Pads                  | Part #FP-451  |
| T. | (2) Upper Ladders                  | Part #UL-316  |
| U. | (1) Bottom Ladder                  | Part #BL-316  |
| V. | (2) Rear Top Legs                  | Part #RTL-316 |
| W. | (2) Rear Middle Legs               | Part #RML-316 |
| X. | (2) Rear Bottom Legs               | Part #RBL-316 |
| Y. | (6) Upper Cross Support Tubes      | Part #UCS-316 |
| Z. | (6) Lower Cross Support Tubes      | Part #LCS-316 |

Hardware Kits for Platform Assembly

(Poly Bag # 1)

- |    |                        |            |
|----|------------------------|------------|
| 4  | 8mm x 1-5/8" Bolt      | Part #1513 |
| 6  | 8mm x 2-1/8" Bolt      | Part #1516 |
| 2  | 6mm x 1-5/8" Bolt      | Part #1013 |
| 4  | 6mm x 1-3/4" Bolt      | Part #1014 |
| 4  | 6mm x 2-1/8" Bolt      | Part #1016 |
| 1  | 10mm Locknut           | Part #2516 |
| 10 | 8mm Locknut            | Part #2510 |
| 10 | 6mm Locknut            | Part #2010 |
| 6  | Tube Cap               | Part #4514 |
| 2  | Thicker Plastic Washer | Part #4510 |

(Poly Bag # 2)

- |    |                   |            |
|----|-------------------|------------|
| 8  | 8mm x 1-3/8" Bolt | Part #1512 |
| 8  | 8mm x 2-1/8" Bolt | Part #1516 |
| 4  | 6mm x 1-3/8" Bolt | Part #1012 |
| 16 | 8mm Locknut       | Part #2510 |
| 4  | 6mm Locknut       | Part #2010 |

Hardware Kits for Leg Assembly

(Poly Bag # 3)

- |    |                   |            |
|----|-------------------|------------|
| 6  | 8mm x 1-3/8" Bolt | Part #1512 |
| 4  | 8mm x 1-5/8" Bolt | Part #1514 |
| 6  | 8mm x 2" Bolt     | Part #1515 |
| 4  | 8mm x 2-3/8" Bolt | Part #1517 |
| 4  | 8mm x 3" Bolt     | Part #1520 |
| 24 | 8mm Locknut       | Part #2510 |
| 6  | Quick Pins        | Part #8010 |

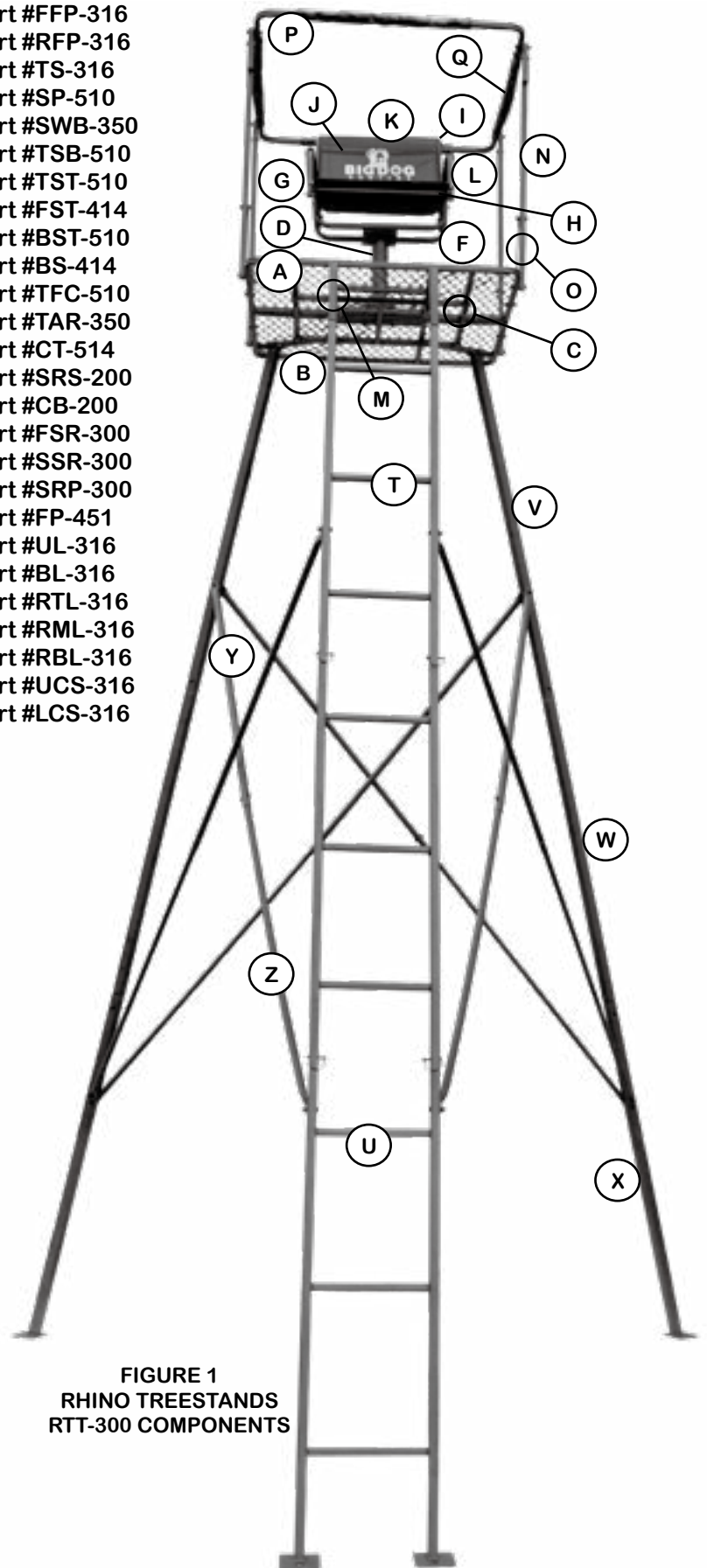


FIGURE 1  
RHINO TREESTANDS  
RTT-300 COMPONENTS



RHINO TREESTANDS RTT-300 ASSEMBLY

**Note:** Do NOT tighten any nuts/bolts until product is fully assembled. You will need one (1) 17mm wrench, two (2) 13mm wrenches and two (2) 10mm wrenches to tighten the assembly. These are NOT provided.

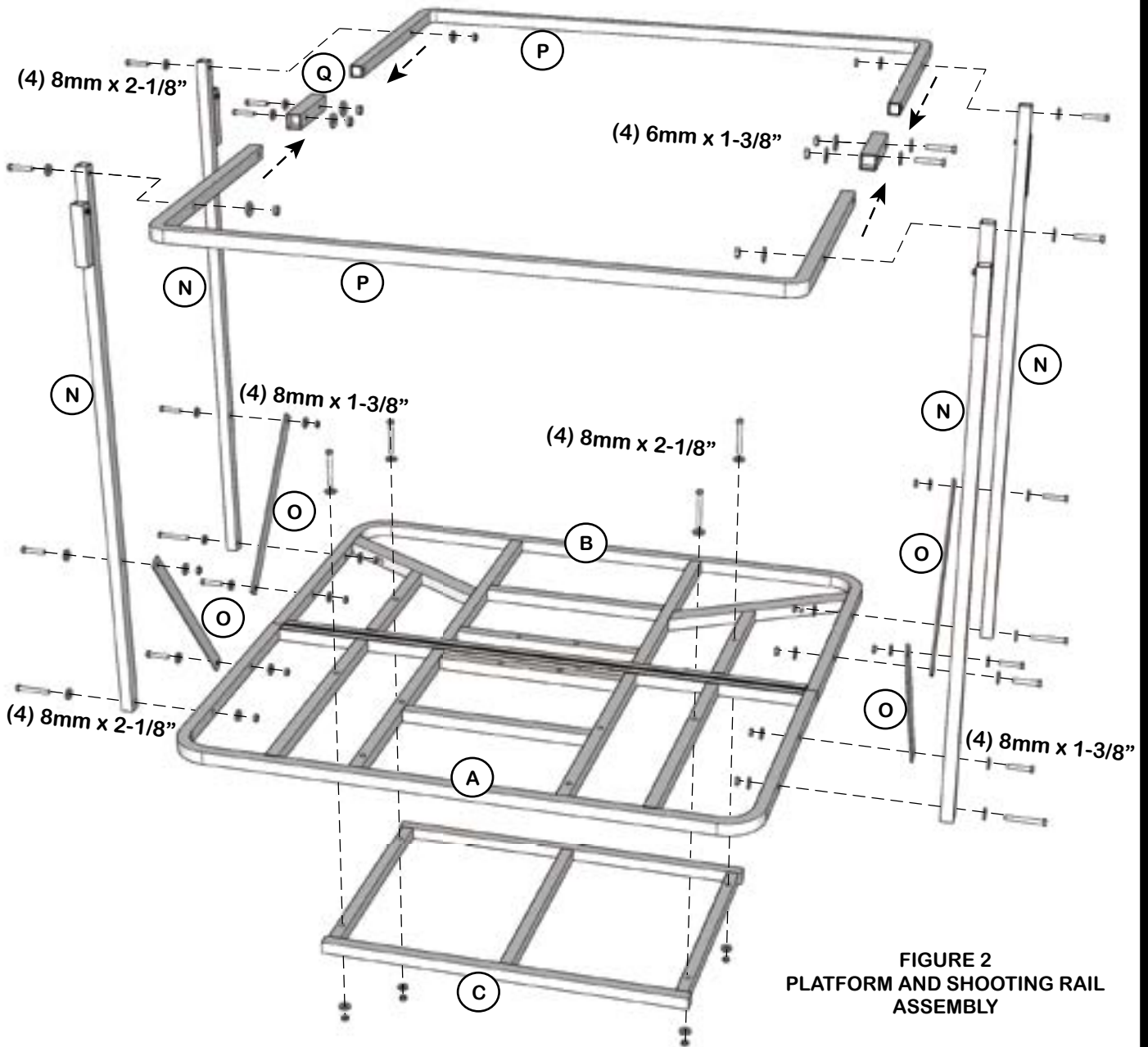


FIGURE 2  
PLATFORM AND SHOOTING RAIL  
ASSEMBLY

STEP 1: Note: All required bolts and nuts for the platform assembly are in poly bag # 1&2. Locate the Front and Rear Foot Platforms (A&B) and the Sub-Frame (C). Bolt the (2) foot platform(s) (A&B) to the sub frame (C) using (4) 8mm x 2-1/8" bolts and locknuts.

STEP 2: Locate four (4) rail support tubes (N). Secure each end of the rail support tubes to each corner of the assembled foot platform side using (4) 8mm x 2-1/8" bolts and locknuts. NOTE: The pre-welded tubes on the rail support tubes shall be facing away from the center of the foot platform area. Next, locate (1) platform rail strap(s) (O) and align the hole on the Platform Strap with the 2nd hole on the rail support tube (N) and the 2nd hole from the corner in the assembled foot platform and secure each end using (1) 8mm x 1-3/8" bolt and locknut. Repeat on remaining (3) Platform Rail Strap(s). Note: Insure the locknuts are to the inside of the foot platform area.

STEP 3: Locate (2) shooting rail(s) (P) and (2) sleeves (Q). Assemble the shooting rail(s) together with (1) sleeve (Q) (one each side) and secure using (4) 6mm x 1-3/8" bolts and locknuts. Next, place the assembled shooting rail to the INSIDE of the assembled rail support tube(s) (N) and secure each corner using (1) 8mm x 2-1/8" bolt and locknut.

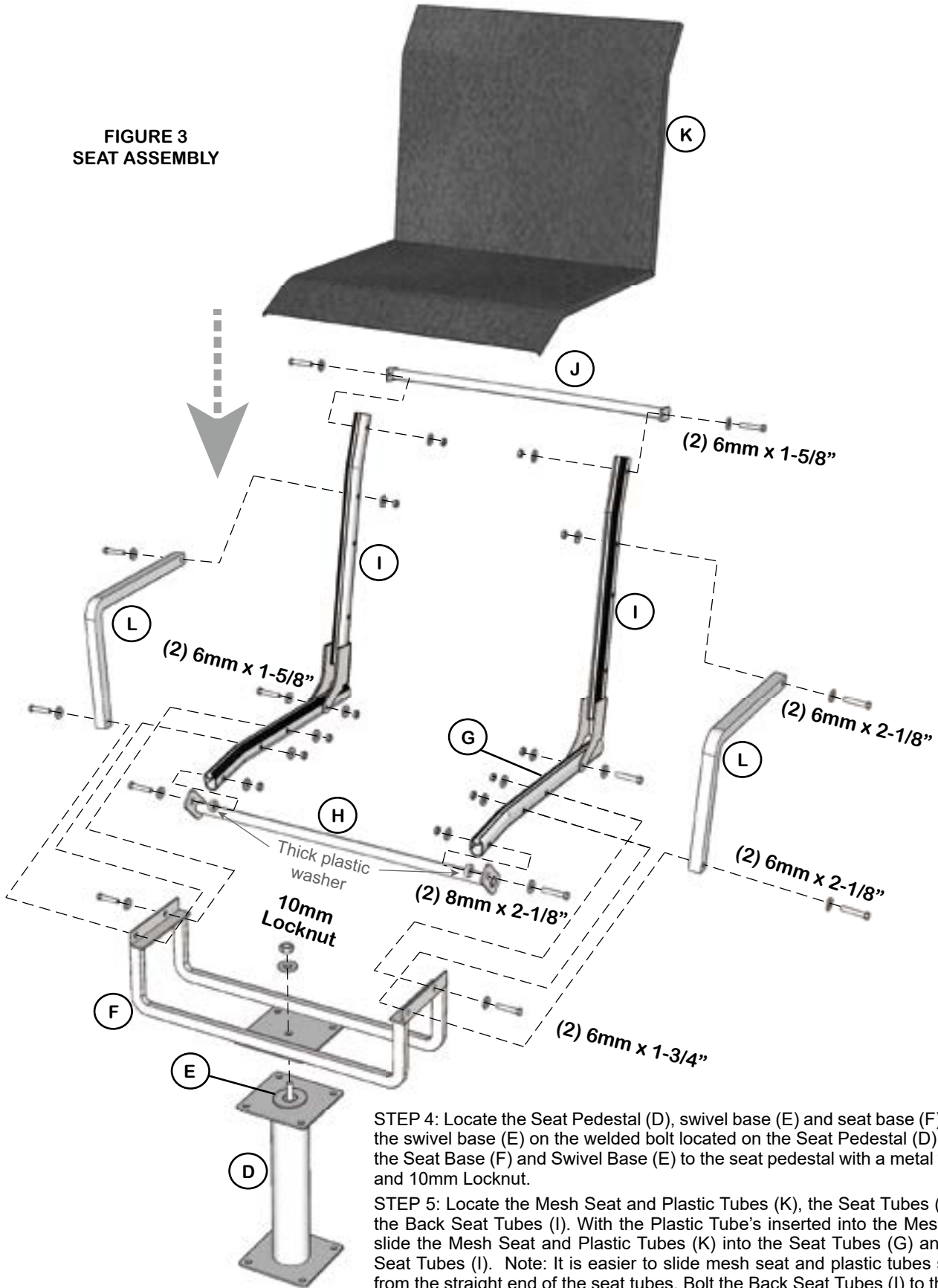
PLEASE READ THIS MANUAL IN ITS ENTIRETY PRIOR TO USING THIS PRODUCT!

PLEASE READ THIS MANUAL IN ITS ENTIRETY PRIOR TO USING THIS PRODUCT!

PLEASE READ THIS MANUAL IN ITS ENTIRETY PRIOR TO USING THIS PRODUCT!

PLEASE READ THIS MANUAL IN ITS ENTIRETY PRIOR TO USING THIS PRODUCT!

**FIGURE 3  
SEAT ASSEMBLY**



**STEP 4:** Locate the Seat Pedestal (D), swivel base (E) and seat base (F). Place the swivel base (E) on the welded bolt located on the Seat Pedestal (D), attach the Seat Base (F) and Swivel Base (E) to the seat pedestal with a metal washer and 10mm Locknut.

**STEP 5:** Locate the Mesh Seat and Plastic Tubes (K), the Seat Tubes (G) and the Back Seat Tubes (I). With the Plastic Tube's inserted into the Mesh Seat, slide the Mesh Seat and Plastic Tubes (K) into the Seat Tubes (G) and Back Seat Tubes (I). Note: It is easier to slide mesh seat and plastic tubes starting from the straight end of the seat tubes. Bolt the Back Seat Tubes (I) to the Seat

Tubes (G) using two (2) 6mm x 1-5/8" bolts and locknuts. Locate the Front Seat Support Tube to the front side of the Seat Tubes (G) using one (1) 8mm x 2-1/8" bolt and a thick plastic washer on each side. Next Bolt the Back Seat Support (J) to the Back Seat Tubes (I) using one (1) 6mm x 1-5/8" on each side. **STEP 6:** Locate the Arm Rests (L), bolt the Arm Rests (L) to the Back Seat Tubes (I) with two (2) 6mm x 2-1/8" bolts and locknuts. Next using one (1) 6mm x 2-1/8" bolt and locknut, bolt through the bottom side of the Arm Rest (L), the Seat Base (F) and lastly through the Seat Tube (G). Repeat on the opposite side. Using two (2) 6mm x 1-3/4" bolts and locknuts, finish bolting the Seat Tubes (G) to the Seat Base (F).

PLEASE READ THIS MANUAL IN ITS ENTIRETY PRIOR TO USING THIS PRODUCT!

PLEASE READ THIS MANUAL IN ITS ENTIRETY PRIOR TO USING THIS PRODUCT!

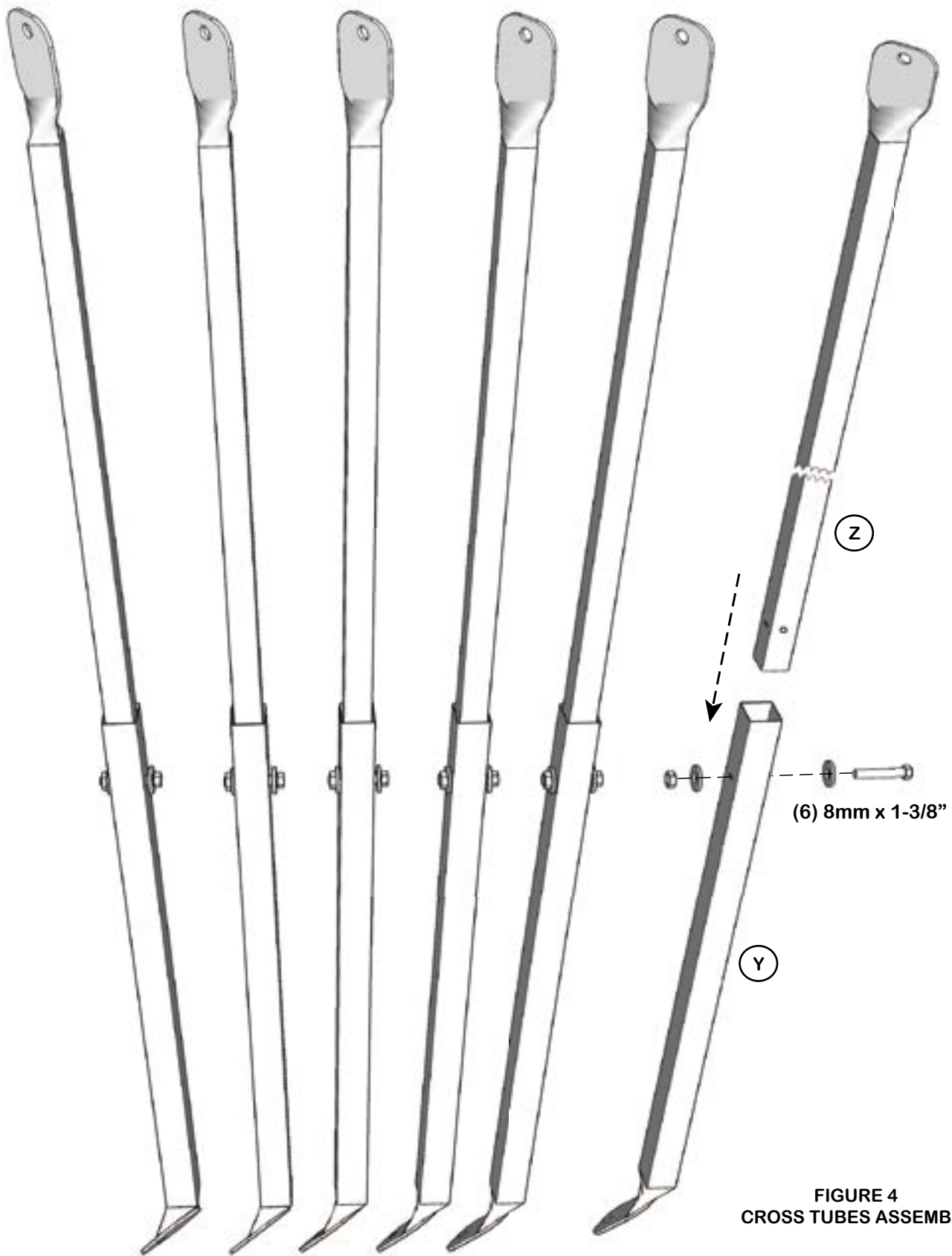
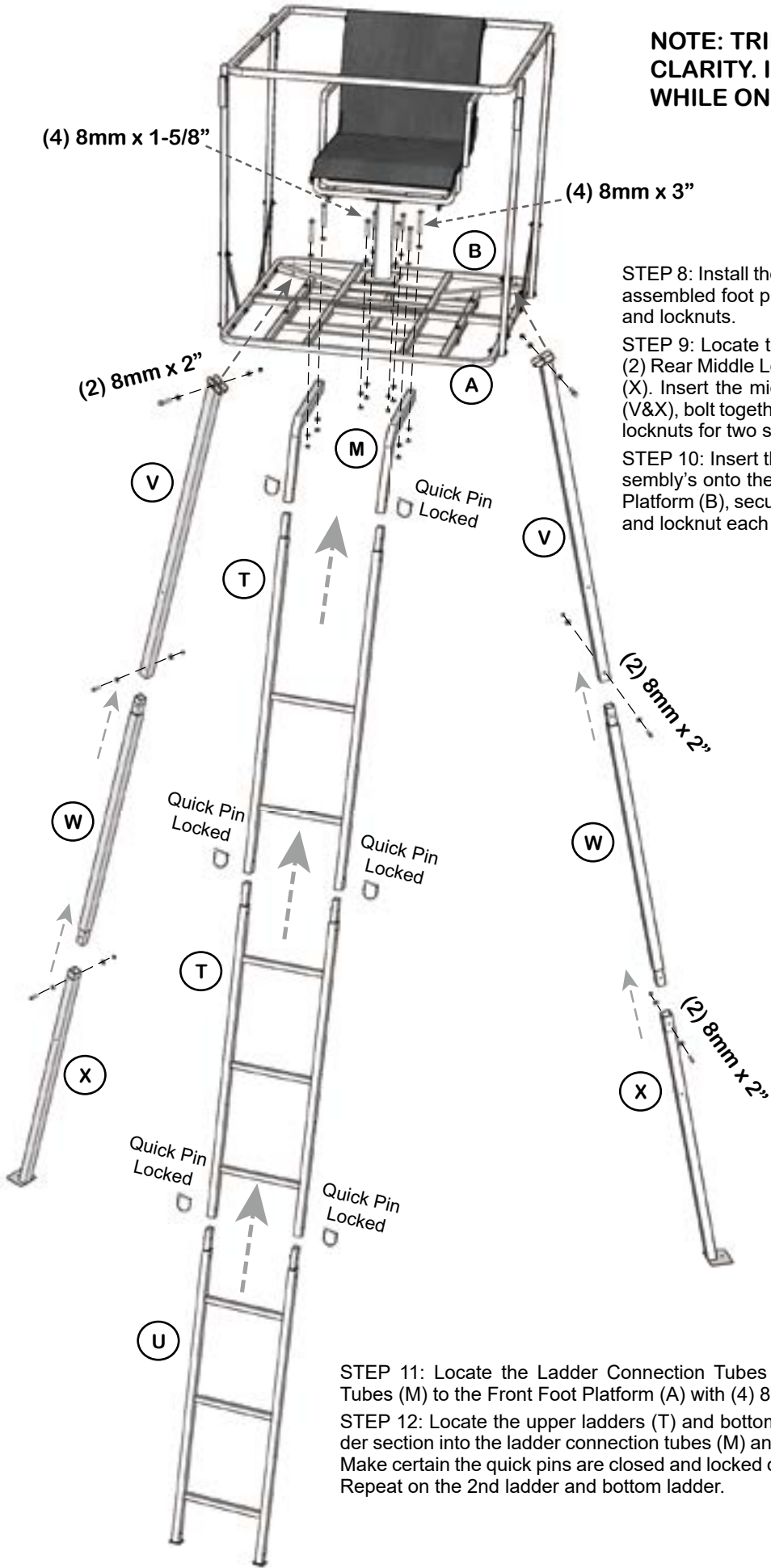


FIGURE 4  
CROSS TUBES ASSEMBLY

STEP 7: Note: All required bolts and nuts for the leg assembly are in poly bag # 3. Locate the (6) Upper Cross Support (1" tube) (Y) and (6) Lower Cross Support Tubes (3/4" tube) (Z). Insert the Lower Cross Support Tube (3/4" tube) into the end of Upper Cross Support (1" tube) where the hole is punched about 2" UP from the end. Secure the two sections together using (1) 8mm x 1-3/8" bolt and locknut. Repeat on remaining Cross Supports. Note: Insure to orient each end of the upper/lower cross support tubes as shown in Figure 4.

PLEASE READ THIS MANUAL IN ITS ENTIRETY PRIOR TO USING THIS PRODUCT!

PLEASE READ THIS MANUAL IN ITS ENTIRETY PRIOR TO USING THIS PRODUCT!



**NOTE: TRIPOD SHOWN ERECT FOR CLARITY. IT SHALL BE ASSEMBLED WHILE ON ITS SIDE.**

**STEP 8:** Install the previously assembled seat to the assembled foot platform with (4) 8mm x 1-5/8" bolts and locknuts.

**STEP 9:** Locate the two (2) Rear Top Legs (V), two (2) Rear Middle Legs (W), two (2) Rear Bottom Legs (X). Insert the middle leg (W) to the top/bottom leg (V&X), bolt together using two(2) 8mm x 2" bolts and locknuts for two sets of back leg.

**STEP 10:** Insert the "U-plate" end of the rear leg assembly's onto the pre-welded tube in the Rear Foot Platform (B), secure together using (1) 8mm x 2" bolt and locknut each side.

**FIGURE 5  
LEG AND LADDER ASSEMBLY**

**STEP 11:** Locate the Ladder Connection Tubes (M). Bolt the Ladder Connection Tubes (M) to the Front Foot Platform (A) with (4) 8mm x 3" bolts and locknuts.

**STEP 12:** Locate the upper ladders (T) and bottom ladder (U), Slide the one (1) ladder section into the ladder connection tubes (M) and connect using two (2) quick pins. Make certain the quick pins are closed and locked once their installation is completed. Repeat on the 2nd ladder and bottom ladder.



PLEASE READ THIS MANUAL IN ITS ENTIRETY PRIOR TO USING THIS PRODUCT!

PLEASE READ THIS MANUAL IN ITS ENTIRETY PRIOR TO USING THIS PRODUCT!

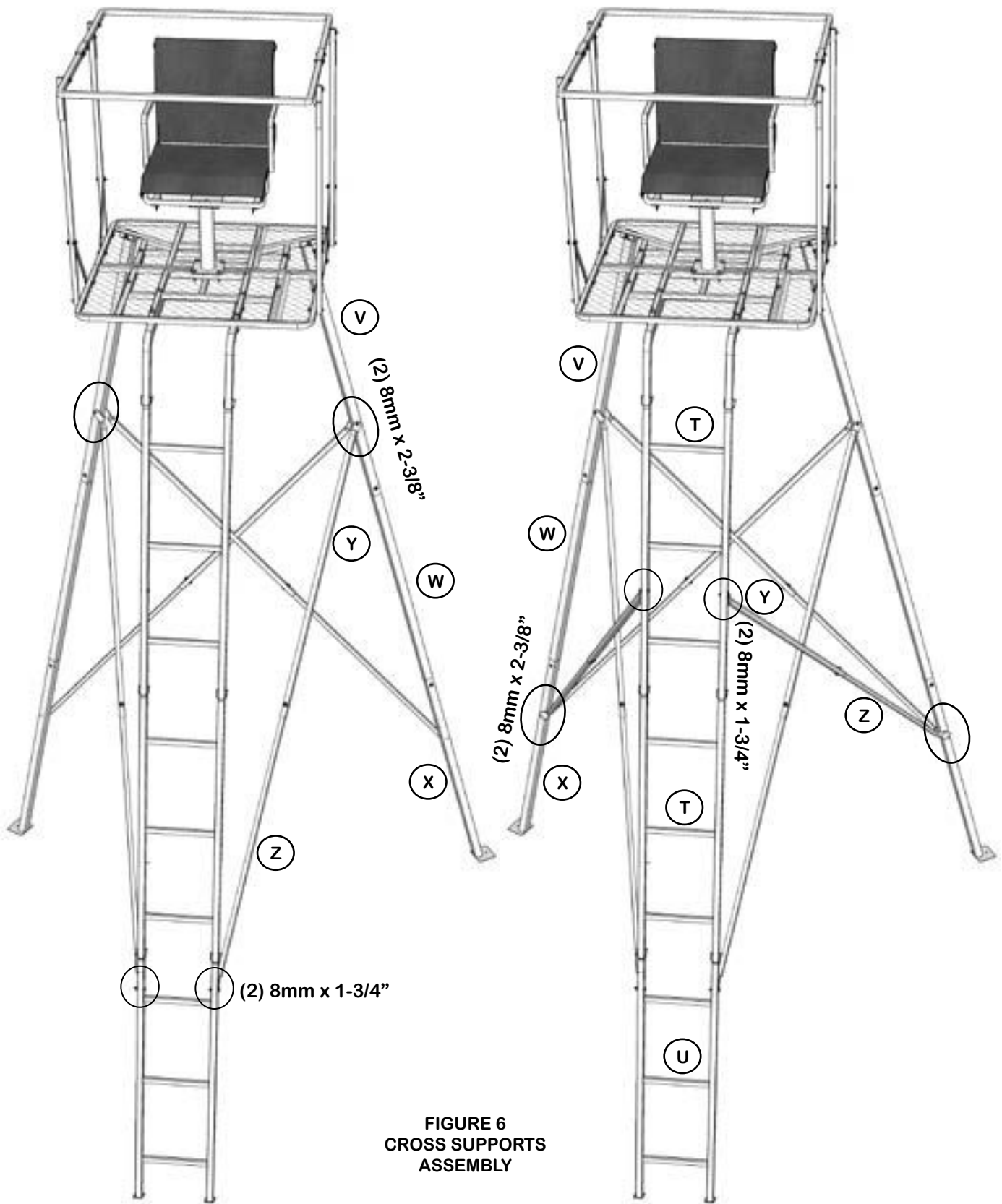


FIGURE 6  
CROSS SUPPORTS  
ASSEMBLY

STEP 13: Attach (2) pre-assembled cross supports (1" ends) to each side of the upper leg sections above the connection using (1) 8mm x 2-3/8" bolt and locknut on each leg section (2 total). With the remaining (2) assemble cross braces, attach the upper portion to the outsides of Top Ladder (T) with (1) 8mm x 1-3/4" bolt and locknut. Next, secure the 3/4" tube end to the lower leg section's and lower ladder sections making an "X" with the braces using (1) 8mm x 2-3/8" bolt and locknut on the rear legs, and (1) 8mm x 1-3/4" bolt and locknut on the ladder. Note: Bolt cross braces to the hole above/below the connections on the leg section. Go back through and tighten ALL bolts and locknuts. Attach all pads.

## SET-UP/ERECTING YOUR RHINO TREESTANDS RTT-300



**WARNING!** You must follow these installation instructions very carefully. Failure to follow these instructions may result in serious injury or death!



**WARNING!** Prior to attempting to use this, or any other Rhino Treestands product(s), you must take a moment and become familiar with it's setup and installation at ground-level. You must practice installing, setting-up and using this product(s) at ground-level prior to attempting to use it at heights above ground-level. Once you have become thoroughly knowledgeable and comfortable with this Rhino Treestands product(s) setup, installation and use at ground-level, you're now ready to use it at heights above ground-level. Failure to follow these instructions may result in serious injury or death!



**WARNING!** You need the assistance of two (2) other adults for the following assembly STEPS. Failure to follow these instructions may result in serious injury or death.



**WARNING!** You need the assistance of two (2) other adults to hold the legs when installing. Do not allow the legs to hang freely without support as this could lead to structural damage or bodily injury. Failure to follow these instructions may result in structural damage to the treestand, and/or serious injury or death!



**WARNING!** Your Rhino Treestands Tripod was designed, engineered and constructed in a manner that makes it a rugged piece of hunting equipment that will give you years of trouble-free service. This rugged-construction makes your Rhino Treestands Tripod physically heavy. As such, you shall never attempt to install this ladder by yourself.



**YOU MUST HAVE A MINIMUM OF FOUR (4) ADULTS FOR THE SAFE ERECTION OF YOUR TREESTAND.**



**WARNING!** You must check the ground under the treestand to make sure it is firm and level. Sloping ground or uneven surfaces (e.g., one foot on a rock) can cause your ladder to tilt or shift off the tree as you climb. Failure to follow these instructions may result in serious injury or death!



**WARNING!** You must have at least four (4) adults to install and/or remove this ladder treestand. Failure to follow these instructions may result in serious injury or death!



**WARNING!** Prior to climbing, make sure that all the ladder sections are firmly connected and the ladder assembly is solidly secured to the tree. Failure to follow these instructions will result in serious injury or death!



**WARNING!** Prior to attempting to climb a ladder stand for the first time, make certain the feet of the bottom rung ladder section are firmly planted on solid, level ground. If they are not firmly planted on level ground, DO NOT climb the ladder. With the help of three (3) adults, lower the stand and find a suitable location to safely install the ladder stand. Failure to follow these instructions may result in serious injury or death!



**WARNING!** When climbing, always maintain three (3) points-of-contact as you ascend (i.e., climb up) and while descending (i.e., climb down). Failure to maintain three (3) points-of-contact puts the user at serious risk of bodily injury. Failure to follow these instructions will result in serious injury or death!



**WARNING!** DO NOT use this, or any other Rhino Treestands product(s) to climb utility poles, telephone poles, structural columns or any other man-made structures. Never use this or any other Rhino Treestands product(s) around power generation (e.g., transformers, generators, substations, etc.) and/or power transmission equipment. Failure to follow these instructions will result in serious injury or death!



**WARNING!** You MUST install your Rhino Treestand level. Any installation other than level, will result in dangerous condition for the user. If you find your treestand canted, unlevel or in any condition other than level, you must remove it and find an alternative installation site that affords level installation. Failure to follow these instructions will result in serious injury or death!

**STEP 1:** It is required to have (4) able adults to raise or lower this unit into position. Read/Understand/Follow all instructions/warning prior to set-up/removal/or use of this unit!! With the unit on it's side (Note: Insure to have the foot platform resting on a box or table to reduce the stress on the leg assemblies and shooting rail), tie off a 16' strap or rope (not included) to the leg that is elevated off the ground (leg assembly that is in the air) near the foot plate on the leg assembly. Next, place (1) able adult on each leg section near the foot platform area. Have (1) able adult pulling on the 16' strap or rope at the same time the (2) able adults are pushing UP on the two legs (near foot platform area) until the unit is up and all the foot plates are flat on the ground. Note: Have the 4th able adult help control the descending rate of the leg assembly being lowered to the ground (leg with the 16' strap or rope tied off too). DO NOT allow the unit to slam against the ground!! DO NOT stand in the direct path of the unit being raised or lowered to the ground!! Move the stand until the foot platform is level and stake or anchor the unit to the ground (ground stakes or anchors are NOT included) prior to climbing up the ladder. **IMPORTANT REMINDER:** You must tie-down or secure your Rhino Treestands Tripod using stakes or straps. Please note that the stakes or straps are NOT PROVIDED with this Rhino Treestands Tripod. It is recommended that you tie-down each side of the legs [three (3) total]. Additionally, it is highly recommended that a certified electrician ground this structure in the event of an electrical storm.

## REMOVING YOUR RTT-300 TREESTAND



**WARNING!** NEVER walk or stand under the treestand at any time during set-up or removal. Failure to follow these instructions may result serious injury or death!

STEP 1: It is required to have (4) able adults to raise or lower this unit into position. Read/Understand/Follow all instructions/warning prior to set-up/removal/or use of this unit!! Remove all ground stakes or anchors that are securing the unit to the ground. Next, tie off (1) 16' rope or strap (not included) to the front leg section in the direction you want to lay the unit to the ground. With (1) able adult on each rear leg section and (1) able adult on each 16' strap or rope, push the unit over and control the fall rate of the unit to the ground be slowly walking the unit down with the (1) rope or strap. DO NOT ALLOW THE UNIT TO SLAM AGAINST THE GROUND. Never stand in the direct path of the unit being raised or lowered to the ground.



**WARNING!** Prior to attempting to use this or any other Rhino Treestands product(s), you must take a moment and become familiar with it's setup and installation at ground level. You must practice installing, setting-up and using this product(s) at ground-level prior to attempting to use it at heights above ground-level. Once you have become thoroughly knowledgeable and comfortable with this Rhino Treestands product(s) setup, installation and use at ground-level, you're now ready to use it at heights above ground-level. Failure to follow these instructions may result in serious injury or death!

## STORAGE AND CARE



**WARNING!** You MUST store your treestand out of direct sunlight and out of any other harsh environmental condition(s) that may adversely affect its performance. Storing this treestand in harsh environmental conditions will degrade its performance and may expose the user to serious injury or death. Failure to follow these instruction will lead to serious injury or death!