



Model RTH-100 INSTRUCTION MANUAL

MEMBER OF



TREESTAND MANUFACTURERS ASSOCIATION

This Instruction Manual meets industry standards recognized by the Treestand Manufacturers Association - "Standard Practice for Treestand Instructions" and - "Standard Test Method for Treestand Fall Arrest Systems"



Do not return this product to the retailer. Call Rhino Treestands for replacement of any damaged parts, toll-free at (888) 507-2021.

Inspect ALL product components for evidence of damage or wear sustained during shipping, handling, manufacturing of the product prior to assembly or use. If for any reason you are not satisfied with product or with any product component, DO NOT use until the problem has been resolved.



WARNING! THIS PRODUCT CARRIES A STRICT WEIGHT LIMIT. DO NOT USE THIS PRODUCT IF YOU EXCEED THIS TOTAL WEIGHT LIMIT. PLEASE NOTE THIS WEIGHT LIMIT INCLUDES THE USER AND EQUIPMENT. FAILURE TO FOLLOW THESE INSTRUCTIONS MAY RESULT IN SERIOUS INJURY OR DEATH!

Model Number RTH-100

Maximum Weight Capacity - 300 pounds (136kgs) (User and Equipment)



WARNING! You must read, understand, and follow ALL safety warnings and instructions prior to each use. Additionally, you must test and practice with product at ground-level prior to using it at heights above ground-level. Failure to follow these instructions will result in serious injury or death!



WARNING! You must wear and use the Rhino Treestands full-body fall arrest harness and linemen's belt at all times when setting up (installing), using and/or removing this Rhino Treestands product(s). Failure to follow these instructions may result in serious injury or death!



WARNING! Prior to each hunt, make certain you have a signaling device (e.g., mobile phone, cell phone, radio, whistle, signal flare, Personal Locator Device [PLD], etc.) in your possession and on your person in an operable condition. This device must be within easy access shall you experience the need to contact emergency assistance. Failure to follow these instructions may result in serious injury or death!

THANK YOU FOR YOUR PURCHASE OF THIS QUALITY RHINO TREESTANDS PRODUCT! TO ENSURE YOUR PERSONAL SAFETY, PLEASE TAKE A MOMENT TO CAREFULLY READ THIS PRODUCT INSTRUCTION MANUAL IN ITS ENTIRETY BEFORE ATTEMPTING TO SET-UP, INSTALL AND/OR OTHERWISE USE THIS RHINO TREESTANDS PRODUCT. FAILURE TO DO SO COULD RESULT IN SERIOUS PERSONAL INJURY OR DEATH! THIS RHINO TREESTANDS PRODUCT HAS BEEN DESIGNED, ENGINEERED AND MANUFACTURED TO PROVIDE YOU WITH YEARS OF TROUBLE FREE SERVICE.

Shall you have any questions about the installation and/or use of this product, or any other Rhino Treestands product(s) do not hesitate to call one of our customer service representatives toll-free at (888) 507-2021 or visit us online at rhinotreestands.com. Our service representatives will answer any questions you may have about any of the complete line of Rhino Treestands products.

PLEASE READ THIS MANUAL IN ITS ENTIRETY PRIOR TO USING THIS PRODUCT!

PLEASE READ THIS MANUAL IN ITS ENTIRETY PRIOR TO USING THIS PRODUCT!



ATTENTION!!

WHEN YOU SEE A "WARNING!" BE SURE TO HEED THE MESSAGE! THE INFORMATION CONTAINED IN THESE MESSAGES CAN SAVE YOUR LIFE!!



WARNING! FALLS FROM A TREESTAND CAN OCCUR ANYTIME AFTER LEAVING THE GROUND. THESE FALLS RESULT IN EITHER SERIOUS INJURY OR DEATH! FOR YOUR PERSONAL SAFETY, PLEASE TAKE A MOMENT TO CAREFULLY READ THIS PRODUCT INSTRUCTION MANUAL IN ITS ENTIRETY BEFORE ATTEMPTING TO ASSEMBLE, SET-UP, INSTALL AND/OR OTHERWISE USE THIS RHINO TREESTANDS PRODUCT. AT LEAST ANNUALLY, REVIEW THE CONTENTS OF THIS INSTRUCTION MANUAL AND WATCH THE SAFE TREESTAND HUNTING DVD. ADDITIONALLY, KEEP THESE INSTRUCTIONS FOR THE ENTIRE DURATION YOU OWN THIS PRODUCT(S). FAILURE TO FOLLOW THESE INSTRUCTIONS MAY RESULT IN SERIOUS INJURY OR DEATH!



WARNING! THE SAFE USE AND OPERATION OF THIS PRODUCT(S) IS THE SOLE RESPONSIBILITY OF THE USER. A SAFE TREESTAND HUNTING VIDEO HAS BEEN PROVIDED WITH THIS PRODUCT. YOU MUST WATCH THIS DVD IN ITS ENTIRETY. IT IS ALSO THE SOLE RESPONSIBILITY OF THE OWNER TO PROVIDE ANY PERSON(S) WHO BORROW OR PURCHASE THIS PRODUCT WITH THESE INSTRUCTIONS AND THE SAFE TREESTAND HUNTING VIDEO. FAILURE TO FOLLOW THESE INSTRUCTIONS MAY RESULT IN SERIOUS INJURY OR DEATH! ADDITIONALLY, FAILURE TO FOLLOW THESE INSTRUCTIONS MAY SUBJECT YOU TO PERSONAL LIABILITY PENALTIES AS DETERMINED BY THE U.S. JUDICIAL SYSTEM.



WARNING! Failure to read and strictly comply with the instructions contained in this Instruction Manual may result in serious injury or death! PLEASE NOTE THAT "WARNING!" statements have been placed throughout this Instruction Manual. These statements point-out important safety information and instructions, which, if not followed, could endanger the personal safety and/or property of the operator. It is imperative that the operator of this product, or any other Rhino Treestands product(s) read and understand all the instructions and warnings contained in this Instruction Manual prior to attempting to use this product(s), or any other Rhino Treestands product(s). Failure to comply with these instructions and/or warnings may result in serious injury or death! When you see a "WARNING!" statement- BE SURE TO HEED THE MESSAGE!



WARNING! Thoroughly inspect this or any other Rhino Treestands product(s) prior to each use for signs of wear, rot, corrosion, cracks, deterioration and/or any other type of defect. DO NOT expose this product to extended exposure to direct sunlight, excessive heat or freezing temperatures. Do not use this or any other Rhino Treestands product(s) if they show evidence of wear, rot, corrosion, cracks, deterioration and/or any other type of defect. Failure to follow these instructions may result in serious injury or death!



WARNING! Do not remove, modify and/or omit any portion or otherwise mechanically modify this Rhino Treestands product(s) or its assemblies in any manner. Modification, additions, misuse and/or part substitution shall immediately void your factory warranty and may result serious injury or death! If you suspect a part(s) is missing and/or defective, immediately contact Rhino Treestands toll free at (888) 507-2021 for replacement of missing or defective parts. Never modify your stand in any way by making repairs, or altering, adding or attaching anything to it except if explicitly authorized in writing by Rhino Treestands. ALWAYS USE GENUINE FACTORY AUTHORIZED RHINO TREESTANDS REPLACEMENT PARTS. USE OF ANY REPLACEMENT PARTS OTHER THAN GENUINE RHINO TREESTANDS PARTS VOIDS YOUR WARRANTY AND RELIEVES RHINO TREESTANDS OF ANY RESULTANT LIABILITIES AND MAY RESULT IN SERIOUS INJURY OR DEATH!



WARNING! This Rhino Treestands product(s) is designed for adult use only. No one under the age of 16 shall attempt to use this or any other Rhino Treestands product(s) without direct adult supervision. Replace all hardware/cables/nuts/bolts/clips on your tree stand every two (2) years or sooner if inspection finds it necessary. Use only Rhino Treestands replacement straps and parts. Use of any other straps or parts, which are not genuine Rhino Treestands straps and parts, will be viewed as a modification to the product. Any modification will void the warranties and relieve Rhino Treestands Inc. from all liabilities. Failure to follow these instructions may result in serious injury or death!



WARNING! Prior to attempting to use this or any other Rhino Treestands product(s), you must take a moment and become familiar with its assembly, setup and installation. You must practice installing, setting-up and using this product(s) at ground level prior to attempting to use it at heights above ground-level. Once you have become thoroughly knowledgeable and comfortable with this Rhino Treestands product(s) set-up, installation and use at ground-level, you are now ready to use it at heights about ground-level. Failure to follow these instructions may result in serious injury and death!



WARNING! ALWAYS inspect/check ALL expiration dates/tags on all straps and the full-body fall arrest harness prior to each use. You must replace ALL straps (ratchet, cinch, button, stabilizing straps/ropes, etc.) and suspension seats EVERY year. Never use any strap(s) or full-body fall arrest harness that has expired or is showing any damage or wear. Replace all hardware/cables/nuts/bolts/clips on your tree stand every (2) years or sooner if inspection finds it necessary. Use only Rhino Treestands replacement straps and parts. Any other straps or parts will be viewed as a modification to the product. Any modification will void the warranties and relieve Rhino Treestands Inc. from all liabilities. Failure to follow these instructions may result in serious injury and death!



WARNING! When hunting from a treestand, falls can occur any time after leaving the ground causing injury or death. Always wear your Rhino Treestands full-body fall arrest system comprising a full-body fall arrest harness at all times after leaving the ground. You must stay connected at all times after leaving the ground. Single safety belts and chest harnesses are no longer allowed and shall never be used as they put the user at serious risk of injury or death. If you are not wearing your full-body fall arrest harness properly attached to the tree that is protecting you from a fall, do not leave the ground. Failure to follow these instructions may result in serious injury or death!



WARNING! Never rely on a tree branch for support while climbing. Failure to follow these instructions may result in serious injury or death!



WARNING! You must always inform someone of your hunting location, where the treestand will be located and the expected duration of the hunt. Failure to follow these instructions may result in serious injury or death!



WARNING! Inspect all safety devices each time before each use. DO NOT use these devices if it (they) shows signs of wear, damage, deterioration, or vandalism. Factors such as tree growth, vandals, weather and animals may affect the performance of an unattended tree stand. Do not store these devices outdoors when not in use. Failure to follow these instructions may result in serious injury or death!



PLEASE READ THIS MANUAL IN ITS ENTIRETY PRIOR TO USING THIS PRODUCT!

PLEASE READ THIS MANUAL IN ITS ENTIRETY PRIOR TO USING THIS PRODUCT!

ATTENTION!!

WHEN YOU SEE A "WARNING!" BE SURE TO HEED THE MESSAGE! THE INFORMATION CONTAINED IN THESE MESSAGES CAN SAVE YOUR LIFE!!












-  WARNING! Practice the use your full-body fall arrest harness at ground level in the presence of a responsible adult to experience the feeling of hanging suspended before using it in a hunting environment. Failure to follow these instructions may result in serious injury or death!
-  WARNING! The length of the full-body fall arrest lanyard must be minimized at all times. It shall be adjusted so it is above the head with no slack (snug) in the sitting position and you shall have the minimum amount of slack possible when climbing. Failure to follow these instructions may result in serious injury or death!
-  WARNING! Failure to follow harness instructions could result in not being able to return to the stand and being suspended in a harness after a fall. If your hunting location is unknown by anyone and communication efforts are unsuccessful, you must have a personal plan for self-recovery/escape shall you experience a fall. Prolonged suspension in a harness can be fatal. It is important to exercise the legs by pushing against the tree or doing other forms of continuous leg exercises to avoid blood pooling while being suspended. Varying degrees of physical fitness may require different plans for self-recovery/escape to minimize the effects of prolonged suspension. Have a personal plan and practice it in the presence of a responsible adult before leaving the ground. No one escape/rescue plan will work for every hunter, on every tree, in every circumstance. Only you can determine the best self-recovery/escape plan for your hunting situation and you must have a self-recovery/escape plan for your individual situation before leaving the ground. There is time to make a correct decision on what action to take if a fall occurs while wearing a full-body fall arrest harness. It is important to remember, "DO NOT PANIC." You must only hunt from the ground when self-recovery/escape ability is absent. Failure to follow these instructions may result in serious injury or death!
-  WARNING! A suspension relief device must be on your person and readily accessible while using a harness. These devices allow the user to relieve the load on the lower extremities if suspended in a harness and help maintain circulation in the legs, mitigate suspension trauma (blood pooling) or allow descent to the ground. Be sure to follow the manufacturers' directions on the safe use of any suspension relief device. Several optional products/systems are available that offer self-recovery or self extraction from a fall when suspended in a harness. Some systems automatically descend the user while others allow user control. One of these products/systems can be considered for use as an additional safety precaution against prolonged suspension and suspension trauma. Be sure to follow the manufacturers' directions on the safe use of these products/systems. Failure to follow these instructions may result in serious injury or death!
-  WARNING! If you have a limiting physical and/or health condition that precludes and/or renders you incapable of self-recovery and/or a suitable escape plan is not available, DO NOT hunt from heights above ground level. Failure to follow these instructions may result in serious injury or death!
-  WARNING! NEVER allow the harness lanyard to get under your chin or around your neck. This poses a choking hazard that can lead to serious injury or death. Failure to follow these instructions may result in serious injury or death!
-  WARNING! Never attempt to climb up or climb down with a weapon and/or gear in your possession. ALWAYS unload your weapon and pull it up to hunting height using a tether or pull up rope. ALWAYS lower your unloaded weapon down to the ground prior (when raising or lowering firearms, the chamber must be open and the barrel pointing toward the ground) to attempting to climb down. Use this same method when raising or lowering all other gear. Failure to follow these instructions may result in serious injury or death!
-  WARNING! DO NOT attempt to use this and/or any other Rhino Treestands product(s) when ice, snow and/or freezing rain has deposited or formed on any portion of the tree you intend to climb. Failure to follow these instructions may result in serious injury or death!
-  WARNING! ALWAYS maintain three-point contact when climbing up/down a tree when using climbing aids (e.g., ladders, climbing sticks, stacking steps, etc.). Proper three-point contact means having either two (2) feet with one (1) hand or one (1) foot with two (2) hands on the step portion of the climbing aids at all times when climbing up or down. Failure to follow these instructions may result in serious injury or death!
-  WARNING! NEVER adjust ANY straps, cables, and/or adjustable support bars while standing on or leaning against any treestand. DO NOT use any treestand if there is any damage, wear, or excessive corrosion on any part of the treestand or the full-body fall arrest harness. Failure to follow these instructions may result in serious injury or death!
-  WARNING! DO NOT modify, fix/repair, alter, bend, cut, weld, or heat this product in any way. Failure to follow these instructions will void warranty and may result in serious injury or death!
-  WARNING! DO NOT lean out from a treestand for any reason. Never use your full-body fall arrest harness to help you lean out of your treestand to make a difficult shot. Failure to follow these instructions may result in serious injury or death!
-  WARNING! DO NOT use this or any other Rhino Treestands product(s) if you have a history of heart problems, back problems, impaired vision, joints that lock-up, spinal fusions, equilibrium problems, high blood pressure, are not well-rested and/or any other physical impairment that may limit your ability to use and/or operate this product(s) in the safe manner outlined in this Instruction Manual. Additionally, do not use this or any other Rhino Treestands product(s) if you are currently taking any medication (including prescription) and/or using and/or consuming any substance, including alcohol, that may limit your ability to use this Rhino Treestands product(s) as outlined and described in the Instruction Manual. Never use a treestand when feeling ill, nauseous or dizzy. Do not use ANY Rhino Treestands product(s) without consent from your medical doctor for safe and proper use of the treestand and fall arrest system. Failure to follow these instructions may result in serious injury or death!
-  WARNING! DO NOT attempt to use this or any other Rhino Treestands product(s) when thunderstorms are threatening and/or present within five (5) miles. Do not attempt to use this or any other Rhino Treestands product(s) when any other adverse weather condition presents itself. These include weather conditions which have the potential for producing winds, lighting, rain, snow, sleet and/or any other atmospheric condition which may limit the user's ability to operate this Rhino Treestands product(s) in a safe manner as described in this Instruction Manual. Shall inclement weather conditions arise during your use of this Rhino Treestands product(s), return to the ground immediately. Failure to follow these instructions may result in serious injury and death!
-  WARNING! DO NOT use this product, or attempt to use a treestand, on a dead, leaning, diseased, loose barked tree (bark that flakes or falls off), irregular shaped trees, or utility poles. DO NOT use this product on any tree that does not allow for a level standing platform. Failure to follow these instructions may result in serious injury or death!
-  WARNING! Never jump or bounce on a treestand to seat it to the tree. Failure to follow these instructions may result in serious injury or death!

PLEASE READ THIS MANUAL IN ITS ENTIRETY PRIOR TO USING THIS PRODUCT!

PLEASE READ THIS MANUAL IN ITS ENTIRETY PRIOR TO USING THIS PRODUCT!


SPECIAL CONSIDERATIONS FOR NON-CLIMBING (HANG-ON OR LOCK-ON) TREESTAND USAGE

-  WARNING! You must use the linemen's belt when installing hang-on or lock-on treestands to stabilize yourself. Refer to the Rhino Treestands Instruction Manual for specific instruction. Failure to follow these instructions may result in serious injury or death!
-  WARNING! Correct tightening and adjustments of cables, straps, etc. are critical to stable hang-on or lock-on treestand installation. All treestand contact points must be in contact with the tree before you step onto your stand. Failure to follow these instructions may result in serious injury or death!
-  WARNING! Practice the attachment of hang-on or lock-on treestands at ground level before using in a hunting environment. Failure to follow these instructions may result in serious injury or death!
-  WARNING! Never leave a treestand in a tree for more than two (2) weeks (14 days) as weather and/or animals could cause damage. Tree growth can also stress and damage straps, chains and buckles. Failure to follow these instructions may result in serious injury or death!
-  WARNING! Climbing aids (e.g., ladders, climbing sticks, stacking steps, etc.) must extend above the treestand standing platform (at least 24-inches [61cm]) to allow the user to step down onto the platform. Never step up to your stand from a climbing aid. Failure to follow these instructions may result in serious injury or death!
-  WARNING! Use a hoist rope to raise and lower the treestand. Never climb with anything on your back. Failure to follow these instructions may result in serious injury or death!
-  WARNING! ALWAYS have a second adult present or at least accessible by cell phone or other means when installing/removing or using a tree stand. The ability to get help quickly may save your life in the event of a fall. A good nonslip safety boot is important for your safety. Be especially careful that bootlaces do not get hooked on the tree stand or climbing aids (tuck shoelaces into boot before climbing). Failure to follow these instructions may result in serious injury or death!
-  WARNING! BEFORE each use, make sure all nuts and bolts are secure. CHECK all hardware and webbing prior to every use to make sure no damage has occurred to hardware and the webbing is not cut or frayed. Keep webbing from coming into contact with any sharp edges. DO NOT USE THIS PRODUCT IF ANY DAMAGE IS SUSPECTED. Failure to follow these instructions may result in serious injury or death!
-  WARNING! REPLACE any damaged or worn part(s) with original parts. Replace attachment straps every two years (2) years (sooner if they show signs of wear or damage). When not in use store in a dry, cool, safe place away from sunlight. Failure to follow these instructions may result in serious injury or death!

RHINO TREESTANDS FULL-BODY FALL ARREST HARNESS

We are very serious about your personal safety. A Rhino Treestands full-body fall arrest harness has been included with this product for your use. The Rhino Treestands full-body fall arrest harness has been designed to keep you from experiencing a fall. Remember, the most important part of your hunt is returning home to your family safe and sound.

READ THE RHINO TREESTANDS FULL-BODY FALL ARREST HARNESS MANUAL CAREFULLY AND FOLLOW ALL THE INSTRUCTIONS! YOUR NEW FULL-BODY FALL ARREST HARNESS IS DESIGNED FOR A MAXIMUM CAPACITY OF 300 POUNDS (136kgs). ADDITIONALLY, YOUR NEW FULL-BODY FALL ARREST HARNESS MUST BE REPLACED AFTER TWO(2) YEARS OF SERVICE! REPLACE YOUR HARNESS IMMEDIATELY SHALL YOU EXPERIENCE A FALL WHILE WEARING IT.

-  WARNING! Use only the Rhino Treestands full-body fall arrest harness that meets ASTM standards and is provided with this product. NOTE: You must store your full-body fall arrest harness out of direct sunlight and out of any other harsh environmental condition(s) that may adversely affect its performance. Failure to follow these instructions may result in serious injury or death!

RHINO TREESTANDS RTH-100 COMPONENTS

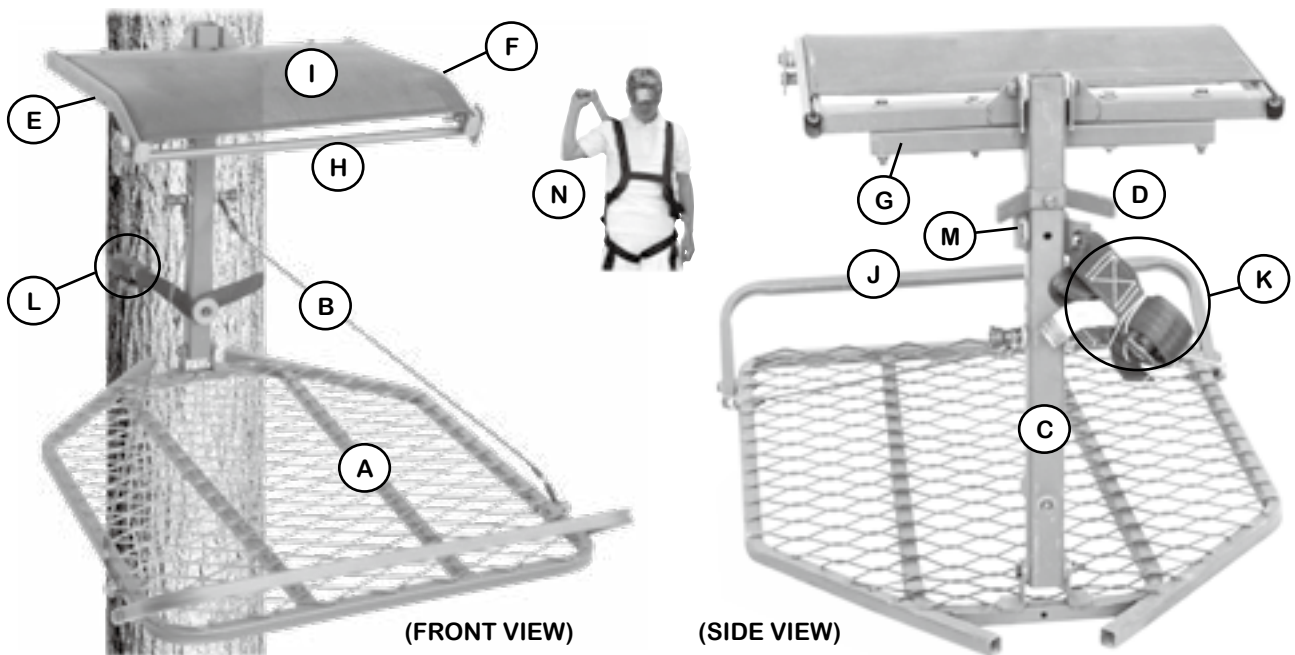


FIGURE 1: RHINO TREESTANDS RTH-100 COMPONENTS

PLEASE READ THIS MANUAL IN ITS ENTIRETY PRIOR TO USING THIS PRODUCT!

PLEASE READ THIS MANUAL IN ITS ENTIRETY PRIOR TO USING THIS PRODUCT!

A. Standing Platform	Part #SP-414	(6) 8mm x 2-1/8" Bolt	Part #1516
B. (2) Platform Support Cables	Part #PSC-401	(4) 8mm x 2-1/2" Bolt	Part #1518
C. Post	Part #HF-414	(4) 6mm x 2-3/8" Bolt	Part #1017
D. Tree Connection Brace	Part #TB-414	(1) 6mm x 4" Bolt	Part #1025
E. Left Seat Frame	Part #LSF-414	(11) 8mm Locknut	Part #2510
F. Right Seat Frame	Part #RSF-414	(5) 6mm Locknut	Part #2010
G. Seat Support Tube	Part #SST-414	(30) Nylon Washer	Part #4010
H. Front Seat Support Tube	Part #FST-414	(2) Thick Plastic Washer	Part #4510
I. Mesh Seat with 2 plastic tubes	Part #FSC-414	(4) Post Washer	Part #4404
J. Foot Rest	Part #FR-455	(2) Cable Washer	Part #4012
K. Upper Cinch Belt Hook Strap	Part #CBH-200	(1) Male/Female Cable Cap	Part #1620
L. Platform Stabilizing Strap	Part #BSS-225	(4) Tube Cap	Part #4514
M. Hook Tab	Part #TAB-100	(1) Knob	Part #1610
N. Full-Body Fall Arrest Harness	Part #RTH-2001S	(1) Seat Levling Cap and nut	Part #7038
(1) 8mmx2-1/2" Inside Hexagonal Bolt	Part #1570		

WARNING! You must wear and use the Rhino Treestands full-body fall arrest harness and lineman's strap at all times when setting up (installing), using and/or removing Rhino Treestands hang-on, lock-on, fixed-position style stands. Failure to follow these instructions may result in serious injury or death!

WARNING! When using the lineman's strap to ascend (climb up) the tree, the full-body fall arrest harness must be attached to the tree BEFORE stepping down on the treestand standing platform. Failure to follow these instructions may result in serious injury or death!

RHINO TREESTANDS RTH-100 ASSEMBLY

STEP 1: Locate the Standing Platform (A) and Post (C). Insert the (4) Post Washers into the upper most, and lower most 4 holes on the Post (C). Attach the Post (C) to the Standing Platform (A) so that the leveling grooves face forward and down towards the Standing Platform (A) with (1) 8mm x 2-1/2" bolt, locknut and (2) nylon washers.

STEP 2: Locate the Tree Connection Brace (D). Bolt it to the Post (C) with (1) 8mm x 2-1/2" bolt and locknut with (2) nylon washers.

STEP 3: Locate the Foot Rest (J). Attach it to the Standing Platform (A) using (2) 8mm x 2-1/2" bolts and locknuts with 3 nylon washers on each side.

STEP 4: Locate the Upper Cinch Belt Hook Strap (K) (shown Hook tab only) and Hook Tab (M). Bolt the Upper Cinch Belt Hook Strap (K) and Hook Tab (M) to the Post (C) with (1) 8mm x 2-1/2" Bolt and locknut.

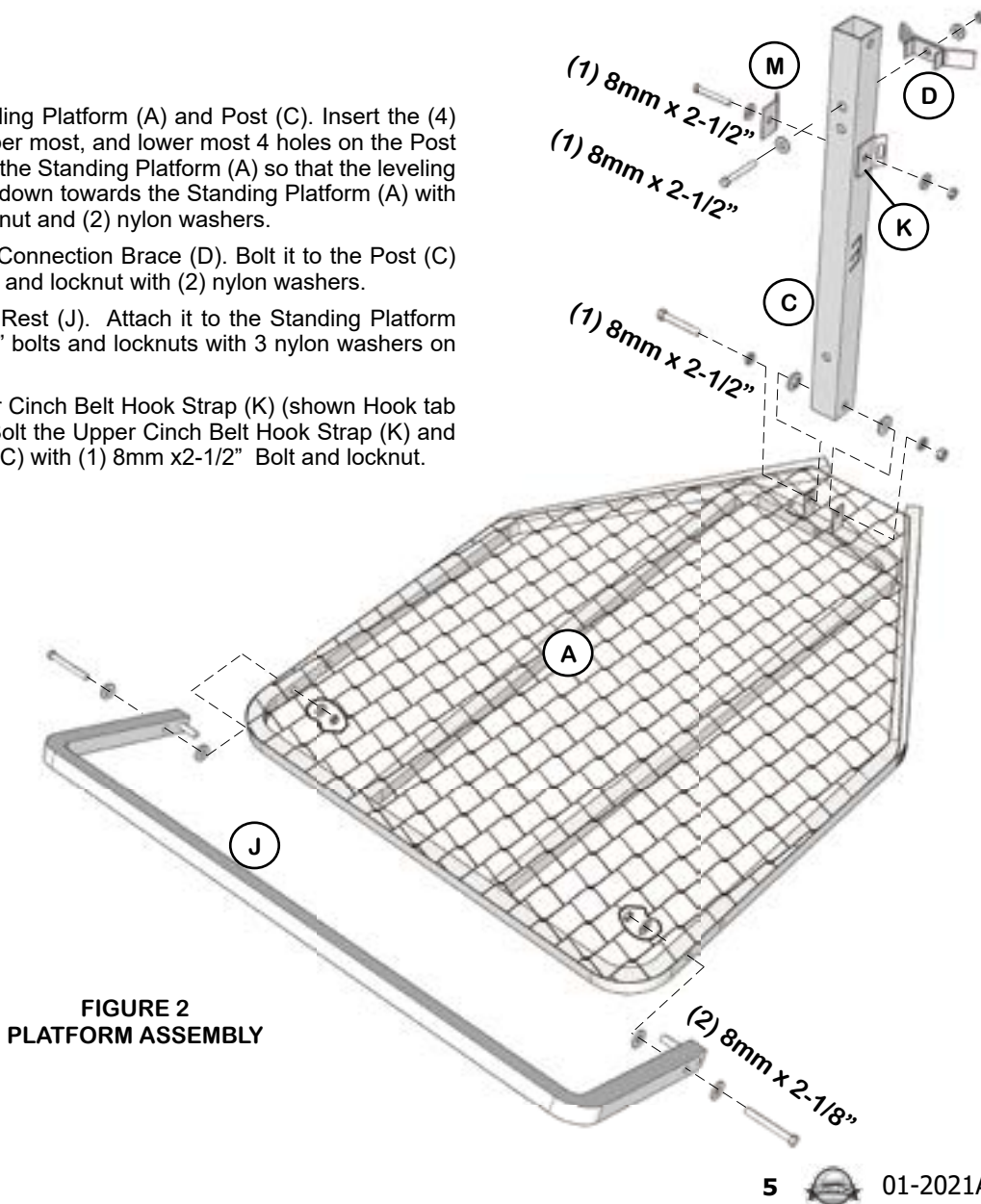
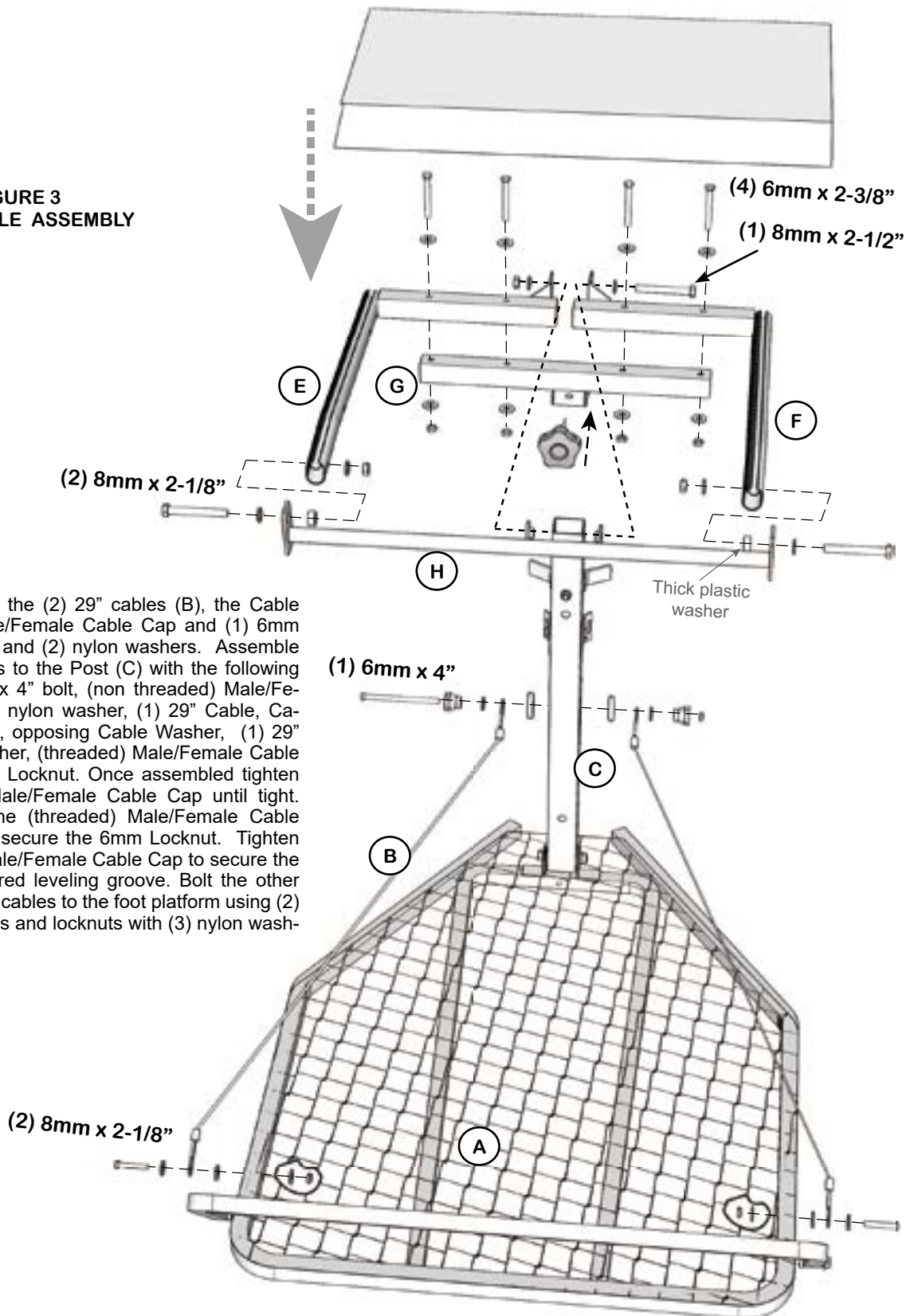


FIGURE 2
PLATFORM ASSEMBLY

PLEASE READ THIS MANUAL IN ITS ENTIRETY PRIOR TO USING THIS PRODUCT!

PLEASE READ THIS MANUAL IN ITS ENTIRETY PRIOR TO USING THIS PRODUCT!

**FIGURE 3
SEAT, CABLE ASSEMBLY**



STEP 5: Locate the (2) 29" cables (B), the Cable Washer, the Male/Female Cable Cap and (1) 6mm x 4" bolt, locknut and (2) nylon washers. Assemble the (2) 29" cables to the Post (C) with the following bolt stack. 6mm x 4" bolt, (non threaded) Male/Female Cable Cap, nylon washer, (1) 29" Cable, Cable Washer, Post, opposing Cable Washer, (1) 29" Cable, nylon washer, (threaded) Male/Female Cable Cap, and a 6mm Locknut. Once assembled tighten the (threaded) Male/Female Cable Cap until tight. Then back off the (threaded) Male/Female Cable Cap 1 turn, then secure the 6mm Locknut. Tighten the (threaded) Male/Female Cable Cap to secure the cable in the desired leveling groove. Bolt the other end of the (2) 29" cables to the foot platform using (2) 8mm x 2-1/8" bolts and locknuts with (3) nylon washers on each side.

STEP 6: Locate the left/right seat frames (E&F) and mesh seat (I). Slide the mesh seat to the left/right seat frames. Locate the seat support tube (G), bolt it to the left/right seat frames using four (4) 6mm x 2-3/8" bolts, eight (8) nylon washers and four (4) locknuts. Locate the front seat support tube (H), bolt it to the left/right seat frames using two (2) 8mm x 2-1/8" bolts, two (2) nylon washers and locknuts with one (1) thick plastic washer between the seat frame and front seat support tube tab. Attach the assembled seat frame to the Post (C) using one (1) 8mm x 2-1/2" bolt and locknut.

STEP 7: Make certain ALL locknuts are securely tightened. Use two (2) 13mm wrenches and two (2) 10mm wrenches (not included) to tighten all locknuts. Do not over tighten these, as this may lead to deformation of the treestand support frame.

PLEASE READ THIS MANUAL IN ITS ENTIRETY PRIOR TO USING THIS PRODUCT!

PLEASE READ THIS MANUAL IN ITS ENTIRETY PRIOR TO USING THIS PRODUCT!

INSTALLING YOUR RTH-100 TREESTAND



WARNING! You must follow these installation instructions very carefully. Failure to follow these instructions may result in serious injury or death!



WARNING! Prior to attempting to use this, or any other Rhino Treestands product(s), you must take a moment and become familiar with it's setup and installation at ground-level. You must practice installing, setting-up and using this product(s) at ground-level prior to attempting to use it at heights above ground-level. Once you have become thoroughly knowledgeable and comfortable with this Rhino Treestands product(s) setup, installation and use at ground-level - you're now ready to use it at heights above ground-level. Failure to follow these instructions may result in serious injury or death!



WARNING! Inspect the strap thoroughly prior to each use. Insure the pre-sewn tab end and Hook Tab are properly attached and secured. When hook is inserted into the Hook Tab, the hook end must be pointed AWAY FROM THE TREE as shown in Figure 6 & 10 for properly attaching and securing Upper Cinch Belt Hook Strap.



WARNING! STOP NOW!!!! Make sure that you are wearing your Rhino Treestands full-body fall arrest harness. Failure to follow these instructions may result in serious injury or death!

STEP 1: Select a straight healthy tree, one without dead branches with a minimum diameter of 12-inches (30cm).

STEP 2: Install your ASTM compliant climbing aid (e.g., ladders, climbing sticks, stacking steps, etc.) as outlined in the Manufacturers Instruction Manual.



WARNING! Never attempt to climb a tree with your treestand in hand or on your back. ALWAYS use a hoist rope to pull your treestand up to the desired installation height. Failure to follow these instructions may result in serious injury or death!



WARNING! YOU MUST install your climbing aids (e.g., ladders, climbing sticks, stacking steps, etc.) so they extend a minimum of 24-inches (61cm) above the standing platform. Failure to follow these instructions may result in serious injury or death!

NOTE: One very important note regarding the installation of your ASTM compliant climbing aid (e.g., ladders, climbing sticks, stacking steps, etc.). Remember, always install the aid so that the rungs of the ladder or the steps extend a minimum of 2 feet (24" inches [61cm]) above your standing platform height (refer to Figure 4). This practice insures that you're stepping off the climbing aid and down onto the standing platform. This practice also insures that you have a firm and secure hand-hold while stepping onto your treestand.

STEP 3: With your ASTM compliant climbing aid installed in strict accordance with the manufacturers Instruction Manual, you're now ready to attach your hoist rope to your treestand.

STEP 4: Attach your hoist rope onto your treestand. Using your Rhino Treestands full-body fall arrest lineman's belt, climb to your desired stand mounting height. With your full-body fall arrest still attached to the tree trunk (DO NOT ATTACH YOUR FULL-BODY FALL ARREST HARNESS TO YOUR CLIMBING AID), you're now ready to hoist your treestand up using your previously attached hoist rope.

STEP 5: After hoisting your treestand up, place the tree connection brace (D) flush against the tree trunk as shown in Figure 5. It is advisable to use a hoist system or hook system to hold the treestand temporarily in position until the treestand is secured to the tree safely and properly. Tip: A simple screw-in bow hook works nicely (be sure to check with local game regulations for legality).

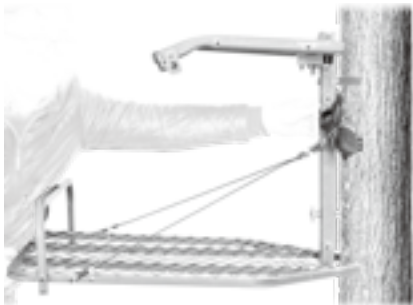
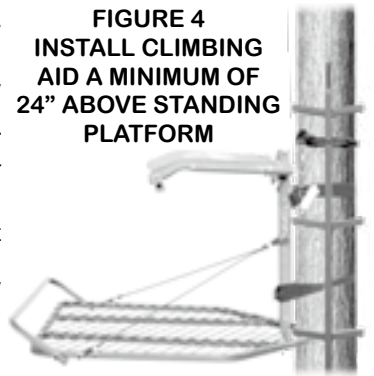


FIGURE 5
TREESTAND FLUSH
AGAINST TREE TRUNK

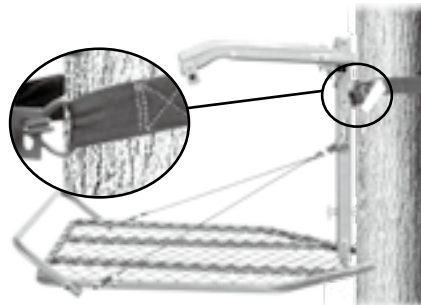


FIGURE 6
TIGHTEN UPPER CINCH
BELT HOOK STRAP

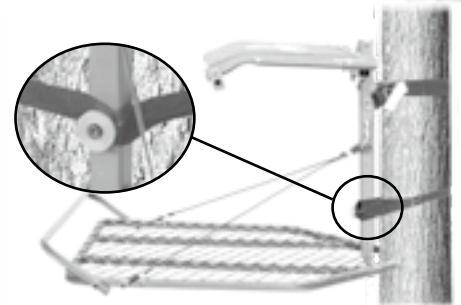


FIGURE 7
TIGHTEN PLATFORM
STABILIZING STRAP

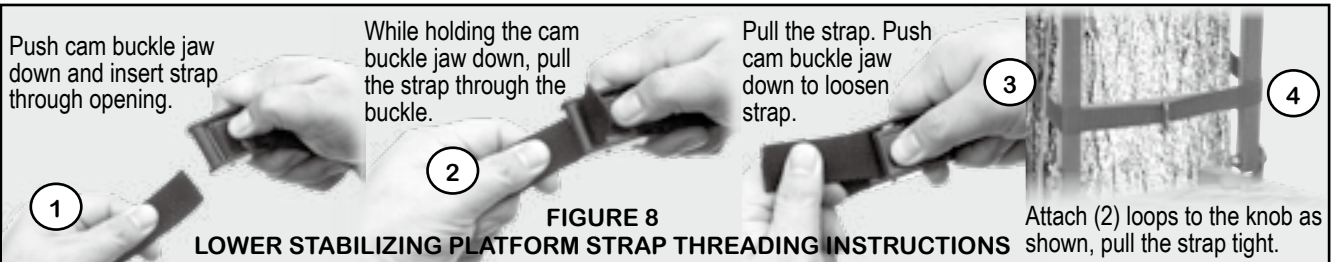


FIGURE 8
LOWER STABILIZING PLATFORM STRAP THREADING INSTRUCTIONS

PLEASE READ THIS MANUAL IN ITS ENTIRETY PRIOR TO USING THIS PRODUCT!

PLEASE READ THIS MANUAL IN ITS ENTIRETY PRIOR TO USING THIS PRODUCT!



WARNING! You **MUST** install your Rhino Treestand level. Any installation other than level, will result in a dangerous condition for the user. If you find your treestand is canted, not level or in any condition other than level, you must remove it and find an alternative installation site that affords level installation. Failure to follow these instructions will result in serious injury or death!

STEP 6: With the Upper Cinch Belt Hook Strap (K) previously installed and the treestand at the desired height, wrap the hook end of the strap around the tree and engage the hook into the Hook Tab. **Refer to Figure 6 & 10** for properly engaging the hook into the Hook Tab. Pull the loose end of the belt strap until seated firmly against the tree. **IMPORTANT:** Tie off the remaining strap securely to prevent the strap from working loose **as shown in Figure 10**.

STEP 7: With the upper cinch belt hook strap (K) installed as previously outlined, locate the platform stabilizing strap (L) (refer to Figure 1). Pre-thread the platform stabilizing strap into the button **as shown in Figure 9**. Then place both looped ends over the knob. After threading in accordance with Figure 10, tighten the strap by pulling on the loose end **as shown in Figure 10**. Once the platform stabilizing strap (L) is tight, check to make sure the tree connection brace (D) is firmly seated against the tree trunk. Tie off the loose end of the platform stabilizing strap (L) to reduce the possibility of it working loose as shown in Figure 10. In addition, check to make sure the standing platform is firmly seated against the tree trunk **as shown in Figure 10**. Make certain the treestand is installed level without any lean. If the treestand is installed in a not level fashion, you must remove it and find another installation location that affords a perfectly level installation.

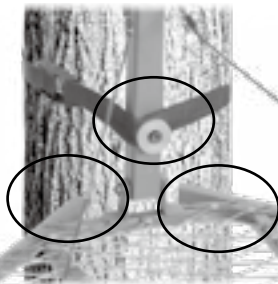


FIGURE 9
STANDING PLATFORM
SECURE TO TREE

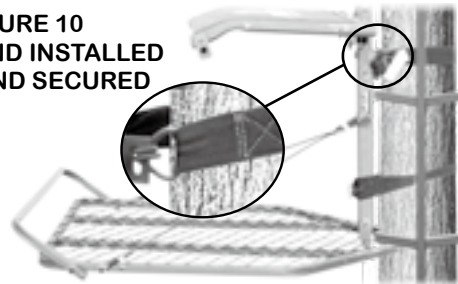


FIGURE 10
TREESTAND INSTALLED
LEVEL AND SECURED

STEP 8: With your treestand installed in the strict manner outlined herein (**refer to Figure 10**), and while still attached to the tree with your full-body fall arrest harness lineman's belt, attach the tether of the full-body fall arrest harness to the tree trunk at a location as high up as you can install it (i.e., eye-level or higher preferably). Both the lineman's belt and tether of the full body fall arrest harness shall be attached. Disconnect lineman's belt and climb above standing platform on the climbing aid and step down onto the center of the standing platform with one leg. If there is any looseness, step off the treestand and back onto the climbing aid. Disconnect the treestand and repeat the previous installation steps until a solid installation is achieved.



WARNING! DO NOT use this, or any other Rhino Treestands product(s) to climb utility poles, telephone poles, structural columns or any other man-made structures. Never use this, or any other Rhino Treestands product(s) around power generation (e.g., transformers, generators, substations, etc.) and/or power transmission equipment. Failure to follow these instructions will result in serious injury or death!



WARNING! When climbing, always maintain three points of contact as you ascend (climb up) and while descending (climb down). Failure to maintain three points of contact puts the user at serious risk of bodily injury. Failure to follow these instructions will result in serious injury or death!

REMOVING YOUR RTH-100 TREESTAND



WARNING! STOP NOW!!!! Make sure that you are wearing your Rhino Treestands full-body fall arrest harness! Failure to follow these instructions may result in serious injury or death!



WARNING! Prior to attempting to use this or any other Rhino Treestands product(s) you must take a moment and become familiar with it's setup and installation at ground level. You must practice installing, setting-up and using this product(s) at ground-level prior to attempting to use it at heights above ground-level. Once you have become thoroughly knowledgeable and comfortable with this Rhino Treestands product(s) setup, installation and use at ground-level, you're now ready to use it at heights above ground-level. Failure to follow these instructions may result in serious injury or death!

STEP 1: Using your Rhino Treestands full-body fall arrest lineman's belt, climb to your treestand. With your full-body fall arrest harness lineman's belt still attached to the tree trunk (**DO NOT ATTACH YOUR FULL-BODY FALL ARREST HARNESS TO YOUR CLIMBING STICKS**) connect your hoist rope to your treestand. You may choose to install a screw-in bow hook to support your treestand while you remove it. **NOTE:** Connect your hoist rope to the tree in a manner that does not interfere with your lineman's belt or compromise your ability to safely stand on your climbing aid.

STEP 2: With your Rhino Treestands full-body fall arrest lineman's belt connected as previously outlined, disconnect the platform stabilizing strap (L) and allow it to hang freely. Next, while holding the treestand, disconnect the cinch belt (K) and remove the hook end from the Hook Tab and allow the belt to hang down freely. Understand that when disconnecting the upper cinch belt hook strap (K), you will be disconnecting the treestand from the tree. With the treestand disconnected from the tree trunk, gently lower it to the ground using the previously installed hoist rope. Your treestand has now been removed.

STORAGE AND CARE

It is recommended that you store your treestand out of direct sunlight and out of any other harsh environmental condition(s) that may adversely affect its performance. It is required to replace all straps annually or sooner if evidence of wear or fading is present. Cables and hardware shall be replaced every two years or sooner if evidence of wear is present. Oil all hardware prior to each use or storage to prevent corrosion.

