

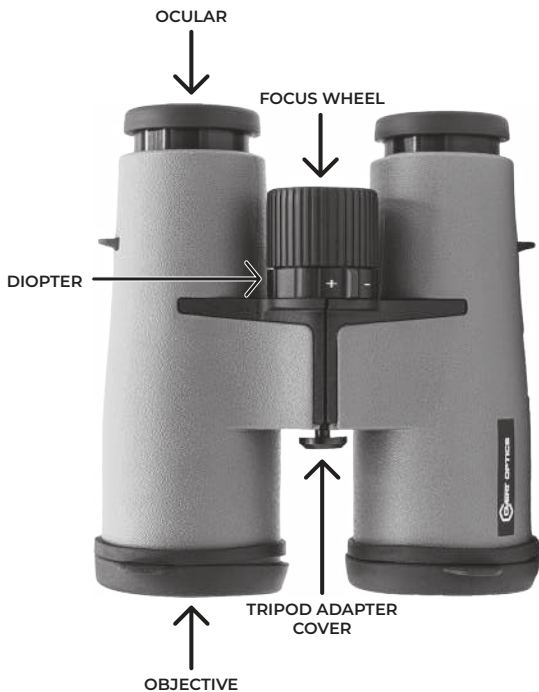
**BINOCULAR** |  
**OWNER'S MANUAL**

---

## SPECIFICATIONS

---

	<b>8x42 ED</b>	<b>10x42 ED</b>
<b>Objective</b>	42mm	
<b>Eye Relief</b>	18mm	17mm
<b>FOV ft/1,000yds</b>	408	330
<b>Focus</b>	2yd to infinity	
<b>Waterproof</b>	Yes	
<b>Weight</b>	23.5oz	24oz
<b>Length</b>	5.35"	
<b>Lens Coating</b>	Diamond bright FMC	
<b>Prism Coating</b>	Phase Corrected Dielectric	
<b>IPD</b>	56 - 76mm	



# READ ME!

---



## **WARNING**

While viewing, do not point the unit's objective lens at intensive sources of light, such as devices that emit laser radiation or the sun. Temporary or permanent blindness or some other eye injury may result.

Congratulations on your purchase of one of the highest-performing optical systems available at any price. Your COVERT OPTICS binocular uses the finest ED (Extra-Low Dispersion) glass and has amazing HD (High Definition) performance. You have purchased a premium binocular for a lifetime of reliable use.

All lenses are fully multi-coated with our proprietary Diamond Bright coating for maximum glare reduction and light transmission, giving the viewer a satisfying, color-saturated view and exquisite optics suitable for long-term, comfortable glassing of objects near and far. The BAK-4 internal roof prisms are treated with cutting-edge phase-corrected dielectric coatings that limit dispersion and help minimize diffraction. The generous eye relief means enjoyable viewing for eyeglass wearers, and the remarkable close focus capabilities of your binocular mean that a backyard bird or butterfly can be as sharp and in focus as a distant animal or galaxy. The magnesium body shaves weight and adds superior rigidity while allowing a pleasing and ergonomic grip for any size of hands.

---

## **Maintenance**

Please keep the ocular and objective covers on when not using your binocular. Storage or transport using the included semi-hard case is recommended. Clean the body using a moist cloth. Take care of your fine lenses. When dirty or dusty, blow off debris with air or a lens brush, then use a non-abrasive lens tissue and lens cleaning fluid in a circular motion to polish away smudges.

For support, please reach us at 270-743-1515, [support@dlccovert.com](mailto:support@dlccovert.com), or visit [feradyne.com/contact](http://feradyne.com/contact).

## BASIC FUNCTION

To maximize the performance and comfort of your new binocular, it is recommended that you personalize it to fit you. This is done by adjusting the eyecups, IPD (Inter-Pupillary Distance), and diopter.

---

### ADJUST THE EYECUPS



The eyecups may be personalized for your viewing comfort. Pull the eyecups all the way out for viewing without eyeglasses or collapse all the way in when wearing glasses. When wearing glasses, it is common for users to rest the rubber eyepiece directly against their eyeglasses.

It is common for users who do not wear glasses to allow the fully extended eyecups to rest against parts of their eye socket. These methods help steady you for more comfortable use. There are also intermediate positions on the eyepieces, and you may find these more suitable for your use.

---

### ADJUST THE IPD (INTER PUPILLARY DISTANCE)



Each of us has eyes that are a unique distance apart from each other. Adjusting the IPD on your binocular to that exact distance allows you to enjoy the very best viewing experience. Simply look through your binocular and pivot the binocular on its hinge until the view you see is a single bright image without shadows on either side.

## ADJUSTING THE DIOPTER

Personalizing your diopter setting allows you to focus each eye separately, compensating for the slightly different strengths of your eyes. You simply have to set your diopter once, and then only the central focus wheel is used to adjust focus at any distance.

### TO ADJUST YOUR DIOPTER:



**01** Look through the binocular at an object approximately 100 yards away.

**02** Cover the right objective lens of your optic with your hand, keeping both eyes open.



**03** You will only see an image with your left eye. Focus the image of your left eye only using the central focus wheel until the sharpest picture is achieved.

**04** Cover the left objective lens of the binocular with your hand, keeping both eyes open. You will only see an image with your right eye.

**05** Focus the image of your right eye using only the diopter wheel.

**06** Notice the setting on the diopter wheel so it can be reset instantly if moved.

**Congratulations**, you have just personalized the optical system in your binocular to your individual visual acuity, ensuring the best possible performance from your precision instrument.

---

### Focusing the Binocular

The central focus wheel is used to achieve the sharpest image possible at any distance. Quickly move the focus wheel back and forth until your picture is perfectly in focus.



## NECK STRAP AND OCULAR COVER

—

Weave the neck strap through the strap attachments on your binocular from outside in. Notice in the image that there is an attachment point on the ocular cover. Weave the inner strap only of the neck strap through the attachment point in the ocular cover. Attach ends of neck strap together using the buckle.

This attachment method to the ocular cover allows instant removal of the cover, allowing it to hang freely without interference while the binocular is in use, and recovering is simple when required. Adjust where the binocular hangs on your body by adjusting the length of the strap.



## TRIPOD ADAPTER

—

To install a tripod adapter, remove the cover by rotating counter-clockwise to expose the  $\frac{1}{4}$ -20 thread.



270.743.1515



[support@dlccovert.com](mailto:support@dlccovert.com)



[www.feradyne.com/contact](http://www.feradyne.com/contact)



**Covert Scouting Cameras** | 11451 Bowling Green Rd.,  
Russellville, KY 42276