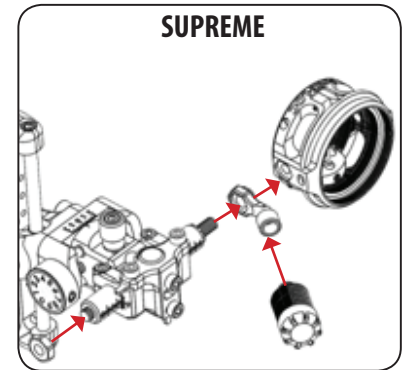
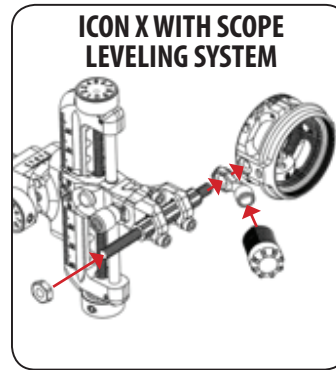
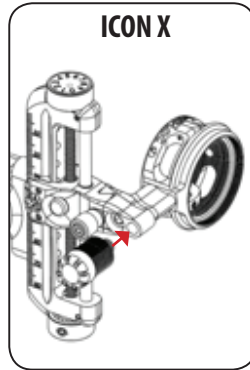
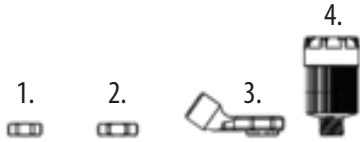


# SURE-LOC SCOPE LIGHT KIT INSTRUCTIONS

The Sure-Loc Scope Light Kit is designed to be used with the S2 scope, in conjunction with the Sure-Loc Icon X, and Supreme. To attach the Sure-Loc Scope Light Mount to your bow, use the diagram below that best illustrates your setup.

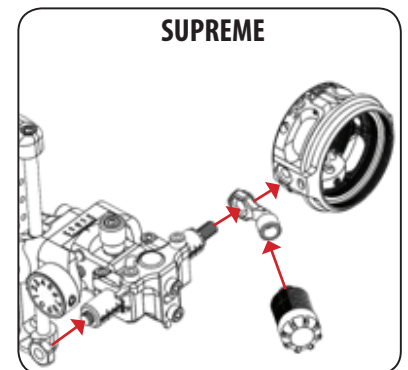
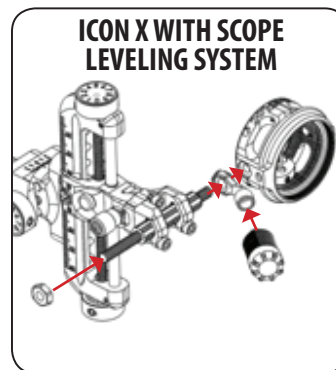
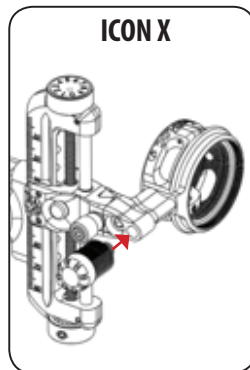
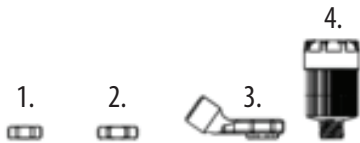
1. #10-32 X 5/16" Hex Nut
2. #10-32 x 3/8" Hex Nut
3. Sure-Loc Scope Light Mount
4. Sure-Loc Scope Light
5. #10-32 Threaded Rod



# SURE-LOC SCOPE LIGHT KIT INSTRUCTIONS

The Sure-Loc Scope Light Kit is designed to be used with the S2 scope, in conjunction with the Sure-Loc Icon X, and Supreme. To attach the Sure-Loc Scope Light Mount to your bow, use the diagram below that best illustrates your setup.

1. #10-32 X 5/16" Hex Nut
2. #10-32 x 3/8" Hex Nut
3. Sure-Loc Scope Light Mount
4. Sure-Loc Scope Light
5. #10-32 Threaded Rod



# SURE-LOC SCOPE LIGHT KIT INSTRUCTIONS

The Sure-Loc Scope Light Kit is designed to be used with the S2 scope, in conjunction with the Sure-Loc Icon X, and Supreme. To attach the Sure-Loc Scope Light Mount to your bow, use the diagram below that best illustrates your setup.

1. #10-32 X 5/16" Hex Nut
2. #10-32 x 3/8" Hex Nut
3. Sure-Loc Scope Light Mount
4. Sure-Loc Scope Light
5. #10-32 Threaded Rod

