

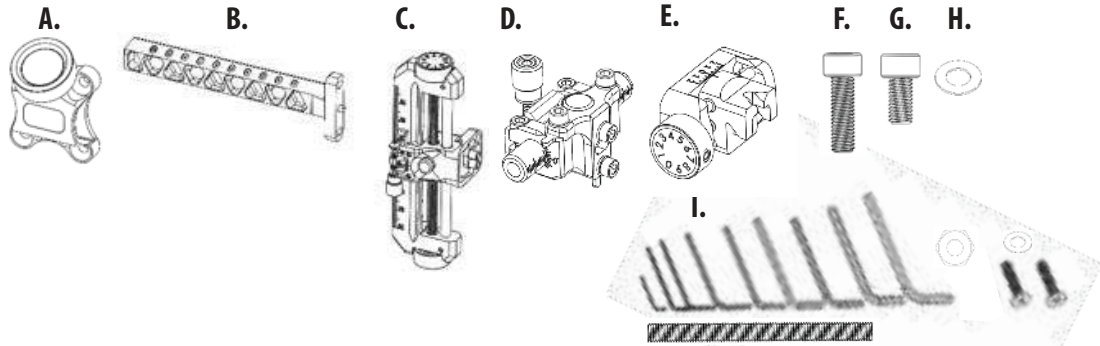
SURE-LOC ONE INSTRUCTIONS

Included with your SURE-LOC One

- A. Mounting Block & Knob (1)
- B. Extension (1)
- C. Frame (1)
- D. Windage Attachment (1)
- E. Tubular Armored 3rd (1)
- F. #10-32 x .625" Socket Head Cap Screws (2)
- G. #10-32 x .375" Socket Head Cap Screws (2)
- H. #10 Washers (2)
- I. Hardware Kit (1)

Includes:

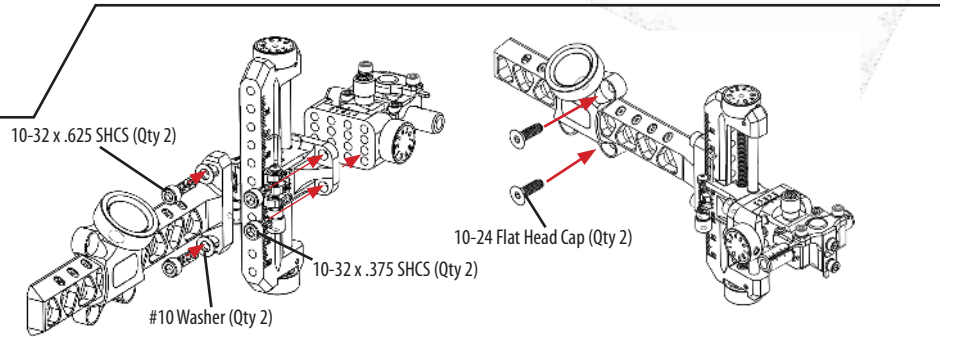
- 1. Hex Wrench Set
- 2. (2) 10-24 Flat Head Cap Screws
- 3. 10-32 3" Threaded Rod (1)
- 4. 10-32 Nut (1)
- 5. Belleville Washer (1)



Setting Up Your SURE-LOC One

1. Assemble the SURE-LOC One as shown to the right using the 10-32 Socket Head Cap Screws provided and a 5/32" hex wrench.

2. Attach the SURE-LOC One to the bow using an 1/8" hex wrench and the 10-24 Flat Head Cap Screws provided. Insert the screws into one of the two sets of holes provided on the mounting block, and tighten the sight to the riser.



Features of the SURE-LOC One

A. Multi-Position Extension

The SURE-LOC One is laser etched with numbers along the extension in a multitude of detents for precisely and repeatedly positioning the sight. To use this feature, simply loosen the lock knob on the mounting block, position the sight in the desired location, and tighten the lock knob.

B. Dual Position Mounting Holes

The SURE-LOC One comes with two different sets of mounting holes on the mounting block to locate the mounting block further forward or back on the riser.

C. Cant Adjustment

The SURE-LOC One comes with a Cant adjustment located behind the elevation frame for the purpose of making sure that the elevation frame runs truly vertical or if you want to shoot with a slight cant. To adjust this, loosen the top and bottom 10-32 screws that secure the extension to the elevation frame, and cant the elevation frame in the desired direction. Once the correct position has been achieved, tighten the screws.

D. Micro Adjust Pointers

The SURE-LOC One features revolutionary patent-pending micro adjustable pointers on either side of the elevation frame. To use the pointers, unlock the pointer by loosening the lock screw indicated by the red arrow to the right. Turn the knob to adjust the pointer, and then lock the pointer in the desired position by tightening the lock screw.

E. Elevation/Windage Tension Adjustment

The SURE-LOC One comes with adjustable tension windage and elevation adjustments. To adjust the tension on the elevation, loosen/tighten the 4 tension adjustment screws equally indicated by the green arrows (2 on each side) in the picture to the right. To adjust the windage tension, remove the Armored 3rd subassembly from the sight, and tighten/loosen the 4 screws equally exposed under the dovetail. **Note: it take very small adjustments to get the proper results.**

F. Quick Adjust Button

To quickly move the elevation of the sight, push the brass button in and slide the sight up or down. Release the button when the correct position has been achieved. No locking is necessary.

G. Micro Adjust Windage and Elevation.

The windage and elevation adjustments of the SURE-LOC One each produce .002" of movement each click. No locking is necessary for either of these adjustments.

H. Armored 3rd Axis Quick Disconnect

To quickly attach and detach the armored 3rd and scope of the sight, simply tighten or loosen the quick connect knob.

I. Armored 3rd

The SURE-LOC One Armored 3rd subassembly contains adjustments for 2nd axis, and 3rd axis scope rotation. For more information on how to use this feature of the sight, refer to the "SURE-LOC One Armored 3rd User Manual" packaged with your sight.

