

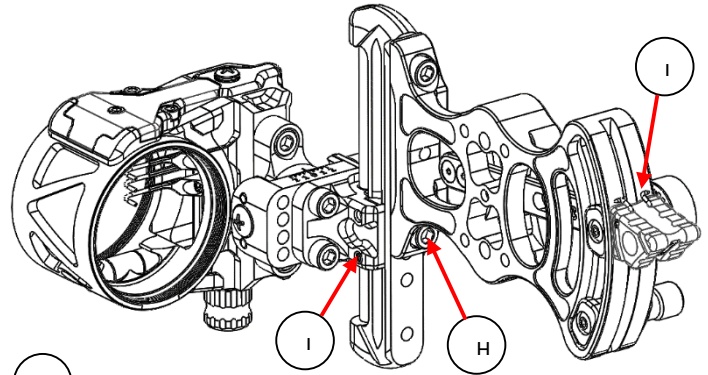
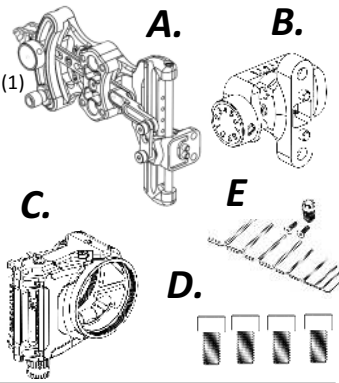
# SURE-LOC LETHAL WEAPON RED SLDR INSTRUCTIONS

## Included with your Lethal Weapon

- A. Lethal Weapon RED SLDR Sliding Mount (1)
- B. Lethal Weapon RED SLDR Windage Assembly (1)
- C. Lethal Weapon RED SLDR Bezel Assembly (1)
- D. #10-32 x .375" Socket Head Cap Screws (4)
- E. Sure-Loc Hardware kit (1)

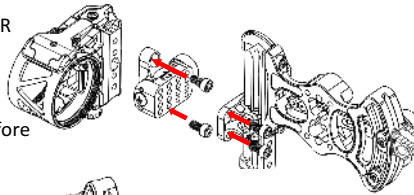
### Includes:

- 1. Allen wrench set.
- 2. (2) 10-24 x 1" Flat Head Cap Screws
- 3. (1) Sight Light

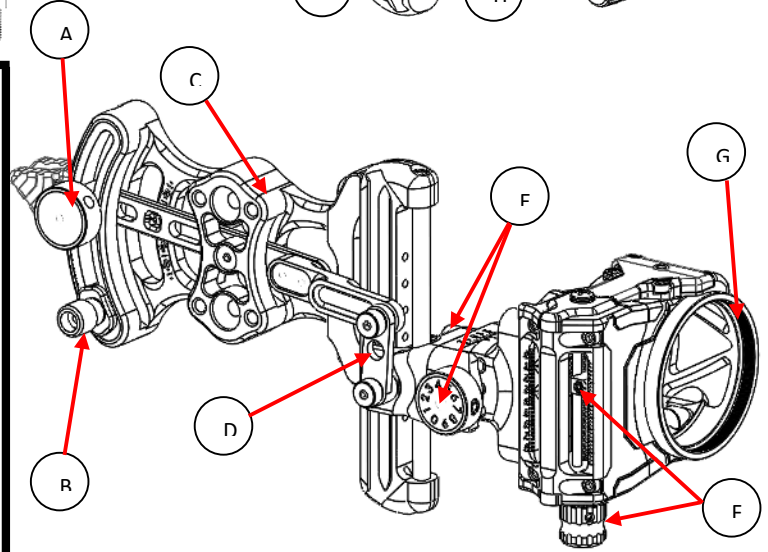
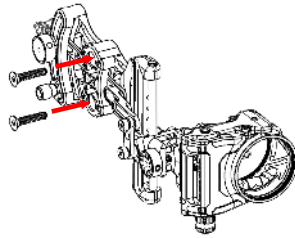


## Setting up your Lethal Weapon RED SLDR

1. Assemble the Lethal Weapon RED SLDR as shown, using the (4) 10-32 x .375" Socket Head Cap Screws and 5/32" hex wrench provided. Be sure to assemble the windage assembly onto the bezel before attaching the slider mount.

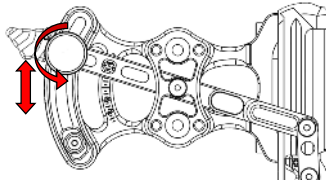


2. Attach the Lethal Weapon RED SLDR to the bow using a 1/8" hex wrench and the (2) #10-24 x 1" Socket Flat Head Cap Screws provided.



### A. Elevation Adjustment

To adjust the elevation, loosen the locking knob and use the thumb pad to slide the sight up or down to the desired location. Once the sight is moved to the correct location, tighten the knob.



### B. Elevation Zero-Stop

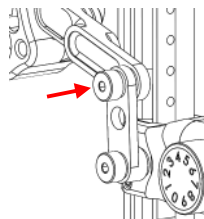
The Lethal Weapon RED SLDR comes equipped with a zero-stop feature that allows the user to return the elevation to the same spot every time. To adjust the zero stop, move the elevation adjustment to the desired location. Next, loosen the zero stop, and slide it up against the elevation adjustment and tighten the zero stop knob.

### C. Quiver Mounting Holes

The Lethal Weapon RED SLDR has two different sets of quiver mounting holes, allowing the user to put their quiver in one of two desired positions.

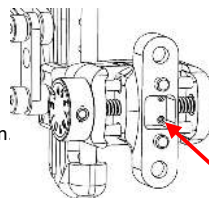
### D. Elevation Linkage Offset

The Lethal Weapon RED SLDR allows the user to customize the linkage arms of the sliding mechanism to best fit their needs. The user can choose one of two different linkage holes to offset the elevation of the sight 3/8" up or down. To use this adjustment, remove the shoulder bolt shown to the right, along with the two washers that ride on it, and move it to the adjacent hole.



### E. Windage Adjustment System

The Lethal Weapon RED SLDR comes with a three-tier windage adjustment system: Macro, micro, and tension adjustment. To adjust the macro windage, loosen the two 10-32 socket screws attached to the windage block, and move the windage block left or right to the desired location. To micro-adjust the windage, twist the knob clockwise or counterclockwise to move the sight right or left, respectively. To adjust the tension of the windage adjustment, remove the two 10-32 socket screws and tighten/loosen the 4 small screws indicated on the right.



### F. Micro-Adjust Pins

Each pin on the Lethal Weapon RED SLDR can be individually micro-adjusted, or the shooter can adjust multiple pins at once. To adjust any pin, simply unscrew the set screw in each pin no less than 2 full turns using a 1/16" Allen wrench. Once the set screw is loosened, rotate the pin adjustment knob at the bottom of the sight to move the pin(s) up or down. Each click of the knob will move the pin .0015". Once the pin is in the correct location, tighten the set screw of the pin to lock it in place.

### G. Lens Attachment

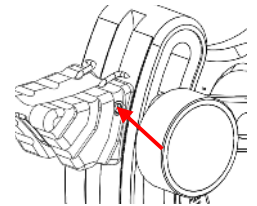
The Lethal Weapon RED SLDR allows the user to attach a SURE-LOC Black Eagle or Falcon 42mm lens to their sight. To do this, simply screw a Black Eagle Lens into the front of the Lethal Weapon RED SLDR bezel, being careful not to cross thread the two components. The scope is sold separately.

### H. Elevation Macro-Adjustment and 2<sup>nd</sup> Axis Adjustment

To make large changes in the position of the Lethal Weapon RED SLDR elevation, loosen the two 10-32 socket screws that connect the sliding mount to the elevation frame, and move them to one of three possible positions in the elevation frame. A pin on the sliding mount will fit into a receiving hole in the elevation frame at each of these three locations. To adjust the 2<sup>nd</sup> Axis, loosen the same two socket screws, and pivot the sight about the single pin between them. Once the right position has been reached, tighten the screws.

### I. Dual Sight Tapes and Pointers

The Lethal Weapon RED SLDR comes with dual sight tapes and pointers, each individually adjustable. This allows the user to track pin marks for two separate pins, two separate bow configurations, or two different sets of arrows. To adjust the pins, loosen the locking set screw, and move the pointer to its desired location. When the pointer is where it needs to be, tighten the set screw.



### J. Elevation Tensioning System

The Lethal Weapon RED SLDR has (4) Screws that comprise the Elevation Tensioning System. Adjusting these 4 screws will increase or decrease the amount of tension felt when moving the sight elevation.

