

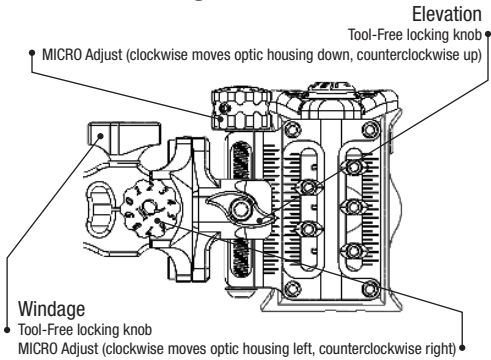


INSTRUCTIONS



Step 2: Top Pin Adjustment

Set your top pin to your preferred position in the bezel using the hex key provided. *(we recommend in the top 1/3 of the bezel)* With both the windage and elevation Tool-Free locking knobs loosened, use the micro adjustments to sight in your first pin at your preferred distance then tighten the Tool-Free locking knobs.

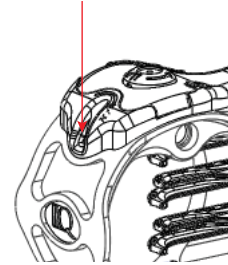


After The top pin is aligned, subsequent pins can be set in the bezel.

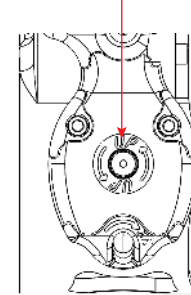
Retina Lock™ Adjustment

a) If you see the green Retina Lock™, adjust the green Retina Lock™ until the black dot is centered within the green Retina Lock™ using the micro adjustments located on the top and side of sight. Remember you are adjusting the green Retina Lock™ to fit your form/anchor point. Repeat this step until the black dot is centered in the green Retina Lock™ – at your form/anchor point.

Left & Right



Up & Down

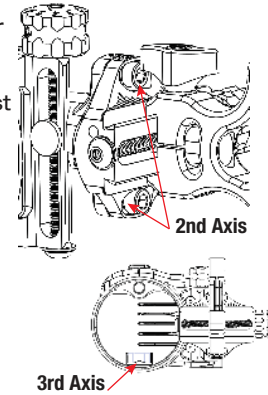


center the black dot in the green Retina Lock™ at your form/anchor point. Repeat process as needed. Once your black dot is centered in the green Retina Lock™ AT YOUR FORM/ANCHOR POINT you can now sight your pin in at other distances and make your distance marks.

Additional Features:


2nd and 3rd Axis Adjustments

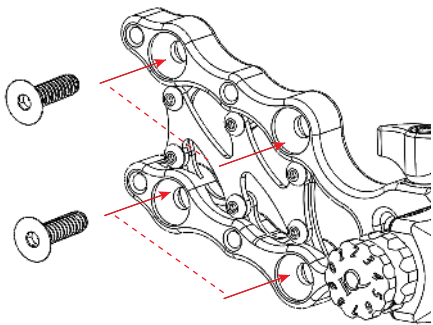
Sight leveling adjustments allows you to level your sight according to your shooting style. To adjust, loosen screws and adjust to your desired position. Tighten screws.



Set up instructions:

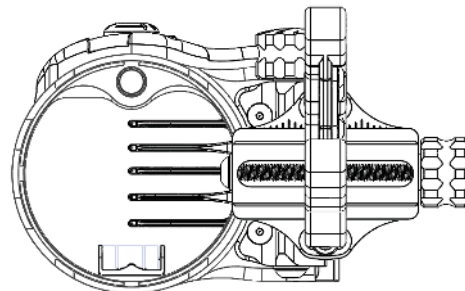
Step 1: Mounting Sight To Bow

Mount the sight onto your bow with the bow mounting screws provided. 



Step 3: Retina Lock™ Adjustment

Once your top pin is accurately sighted in – it's time to adjust your Retina Lock™. Draw your bow using the same form/anchor point used to set your top pin and look for the green Retina Lock™.

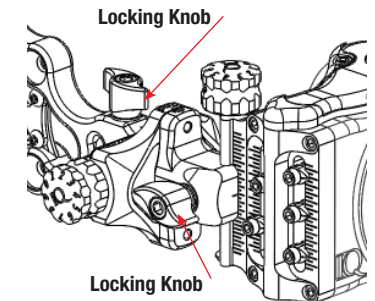


b) If you don't see the green Retina Lock™ at your form/anchor point you will need to move your anchor point up or down and possibly left or right until you find the green Retina Lock™. Once you've determined the direction of the green Retina Lock™, use the micro adjustments located on the top and side of sight to adjust the green Retina Lock™ to fit your form/anchor point. The micro adjustment on the top of the sight is to move the green Retina Lock™ up and down and the micro adjustment on the side of sight is to move the green Retina Lock™ left and right – REMEMBER YOU ARE MOVING THE GREEN Retina Lock™. Repeat this step until the black dot is centered in the green Retina Lock™ – at your form/ anchor point.

HOW TO ADJUST:

If the green Retina Lock™ is high and to the right, you will need to move the adjustment low and to the left to try and

Tool-Free locking knobs which can be removed and replaced with included screws if desired.



For a quick video on how to set up your IQ MICRO Bowsight™ please visit:

iqbowsights.com

Dual Position Mount

Giving you the ability to mount your sight to your shooting style.

Tool-Free Locking Knobs

Lock or unlock windage and elevation positions in place without the use of any tools.

Sight Light Port

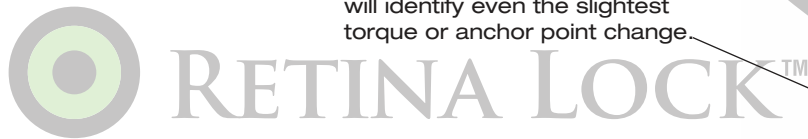
Threaded port accepts sight light. (Sold Separately)

Micro Adjust Knobs

Allowing quick and simple adjustment of the elevation and windage to precise positions using the adjustment markings.

Revolutionary Retina Lock™ Alignment Technology

Provides instant feedback that will identify even the slightest torque or anchor point change.



MICRO BOWSIGHT

Parts Included:

