

DEFINE PRO

RANGE FINDER SIGHT

Before mounting and setting up the Define, familiarize yourself with the diagrams on the back of these instructions. They will be a helpful tool to reference during set up.

Once set up is complete, the range finder is calibrated to the 20 yard pin. When ranging a target on the range or in the field, use the 20 yard pin to mark the target, then shoot using the appropriate pin.

The laser attachment on the Define is precision machined to align with the scanning eye on the range finder. To ensure the Define marks the desired target, it is imperative to follow these simple set up instructions.

Define Set-Up Instructions

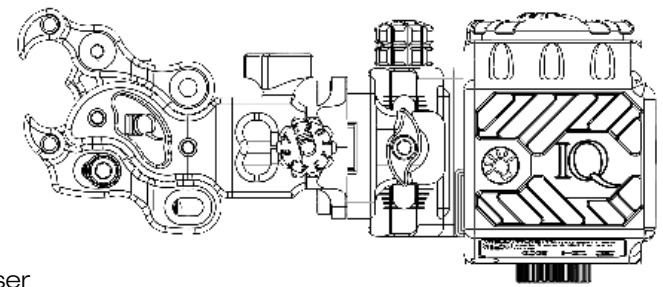
- First, remove the battery insulator from the RED laser.
- Mount the sight to the bow with the supplied hardware. (figure 1 a.)
- Sight in top pin to 20 yards.
- Hang supplied target at 20 yards to zero RED laser to sight.
- Turn on RED laser to align to 20 yard pin on supplied target.
- While holding 20 yard pin on zeroing target, determine where RED laser is striking the target.
- Depending on where your RED laser is impacting left and right of the target, use the set screws (figure 1 b.) to align the RED laser with the lower dot on the zeroing target.
(this may take a few attempts to get the laser directly below the pins on the zeroing target)
- Alignment must always be checked at full draw.**
- Once the RED laser is directly in-line vertically with the pins, adjust the elevation. (figure 2)
- To adjust the vertical elevation, slightly loosen the upper and lower mounting screws. There should still be pressure on the bow sight but still allows the sight to move up and down.
- Adjust the set screw clockwise to move the RED laser down.
Adjust the set screw counterclockwise to move the RED laser up.
- Use the set screw to make vertical adjustments until the RED laser is impacting the lower dot and the 20 yard pin is held on the upper dot.
(This may take a few iterations to complete)
- Once this is complete, re-tighten your sight mounting screws.
- Re-sight in your 20 yard pin.
- Remove the RED laser. This is easily done removing the two machine screws.
*IQ does not condone hunting with the laser attached.
Please follow all Local and Federal hunting regulations.
- Time to Adjust the Retina Lock.™ Flip over for instructions.

Activation of range finder

- Unscrew the battery cover on the bottom of the sight and remove the battery insulator.
- Connect the trigger switch to the range finder port. (figure 3)
- Mount the trigger switch to your preferred mounting location.
- Depress the trigger once to activate the range finder to standby mode. Depress the trigger a second time to put the range finder into scan mode. Depress the trigger a third time to lock in desired range. Depress a fourth time to return to scan mode.
***Accurate scans are done at full draw, using the 20 yard pin.**
- Scan mode will deactivate to standby mode after 2 minutes of no usage.
- Standby mode will automatically shut off after 1 minute.

Pin Light LED

- Depress the light switch on the side of the ranger finder to active pin lights. (figure 4)
- There are 4 levels of pin brightness.
- Pin light will automatically shut off after 1 hour.



Laser



Battery located in the back

*Never adjust these screws. They are pre-calibrated for the DEFINE PRO.

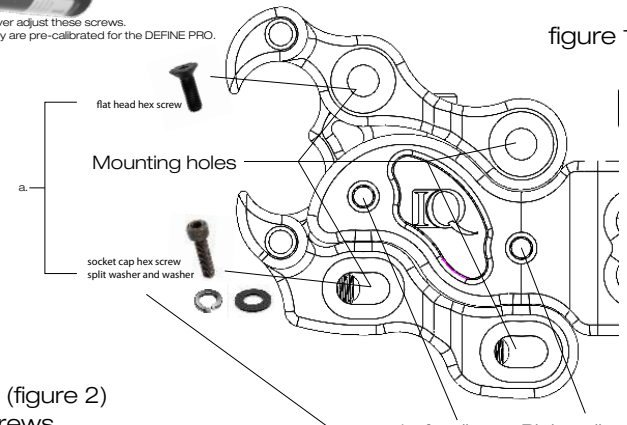


figure 1

b. Left adjust Right adjust

These are adjusted at the same time

* loosen mounting screws before adjusting.

Adjust Left

rear set screw clockwise

front set screw counterclockwise

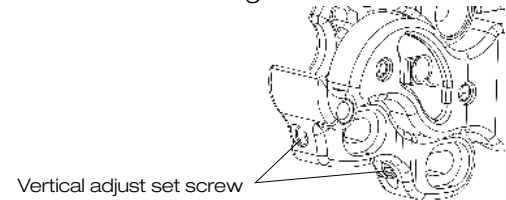
Adjust Right

rear set screw counterclockwise

front set screw clockwise

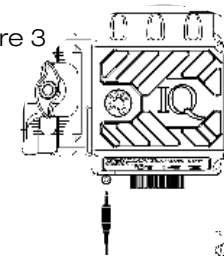
* when you move the set screw counterclockwise, you need to push the laser up as the set screw is creating room for the sight to pivot

figure 2



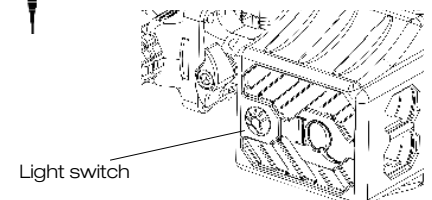
Vertical adjust set screw

figure 3



Trigger button

figure 4



Light switch

DEFINE PRO

RANGE FINDER SIGHT

Fully captured .019" pins

Micro adjust Windage and Elevation dials

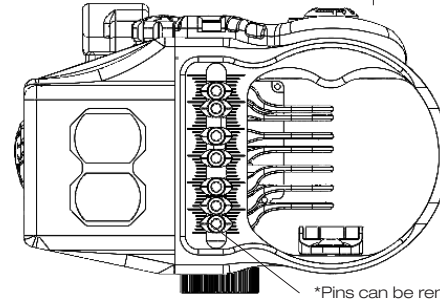
The Micro Adjust Windage and Elevation Dials allow the shooter to make small, consistent, and accurate adjustments as needed. They are also useful tools for precision sight in.

Elevation dial

The laser etched Elevation Dial precisely adjusts the pins up and down. (clockwise moves pins down, counterclockwise moves pins up)

Windage dial

The laser etched Windage Dial precisely adjusts the pins left and right. (clockwise moves pins right, counterclockwise moves pins left)



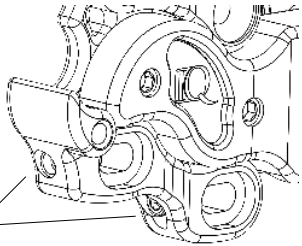
*Pins can be removed if archer prefers more open optics by completely removing the machine screw on the preferred pin and gently removing the pin housing from the bezel.

Mounting holes

Quiver mounting holes

Vertical adjust set screw

Used to align 20 yard pin to laser during mounting and set up.
 - Adjust clockwise to move laser down.
 - Adjust counterclockwise to move laser up.



Left adjust

Right adjust

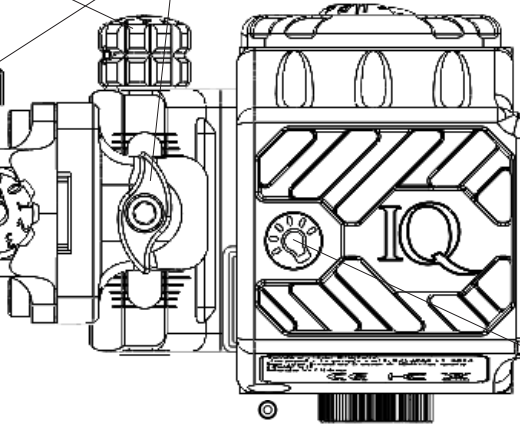
Used to align 20 yard pin to laser during mounting and set up. These are adjusted at the same time.

Adjust Left
 rear set screw clockwise.
 front set screw counterclockwise.

Adjust Right
 rear set screw counterclockwise.
 front set screw clockwise.

Tool-free locking knobs

Adjust Micro adjust Winadge and Elevation dials without tools.



Built in LED pin light

The built in pin light features 4 different intensities. Each successive click brightens the pins.

Trigger



Trigger plug in port

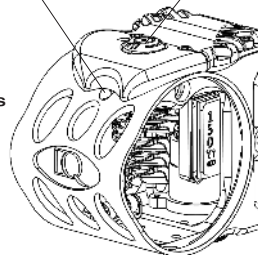
Depress the trigger once to activate the range finder to standby mode
 Depress the trigger a second time to put the range finder into scan mode.

RETINA LOCK™ Set Up

Once your top pin and range finder are accurately calibrated, it's time to adjust your Retina Lock™. Draw your bow using the same form/anchor point used to set your top pin and look for the green Retina Lock™.

micro adjustments

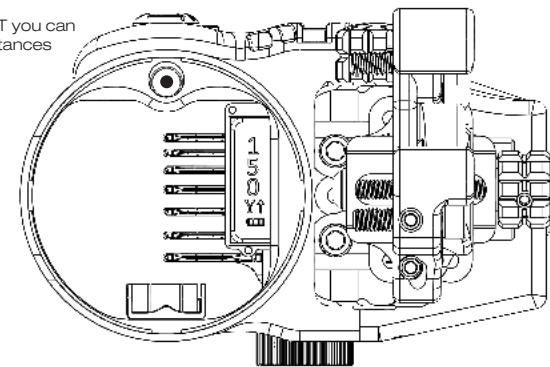
Left/Right Up/Down



a) If you see the green Retina Lock™, adjust the green Retina Lock™ until the black dot is centered within the green Retina Lock™ using the **micro adjustments** located on the top and side of sight. Remember you are adjusting the green Retina Lock™ to fit your form/anchor point. Repeat this step until the black dot is centered in the green Retina Lock™ – at your form/anchor point.

b) If you don't see the green Retina Lock™ at your form/anchor point you will need to move your anchor point up or down and possibly left or right until you find the green Retina Lock™. Once you've determined the direction of the green Retina Lock™, use the micro adjustments located on the top and side of sight to adjust the green Retina Lock™ to fit your form/anchor point. The micro adjustment on the top of the sight is to move the green Retina Lock™ up and down and the micro adjustment on the side of sight is to move the green Retina Lock™ left and right – REMEMBER YOU ARE MOVING THE GREEN Retina Lock™. Repeat this step until the black dot is centered in the green Retina Lock™ – at your form/anchor point.

Once your black dot is centered in the green Retina Lock™ AT YOUR FORM/ANCHOR POINT you can now sight your pin in at other distances and make your distance marks.



DEFINEPRO

RANGE FINDER SIGHT

SIGHT IN PAPER

